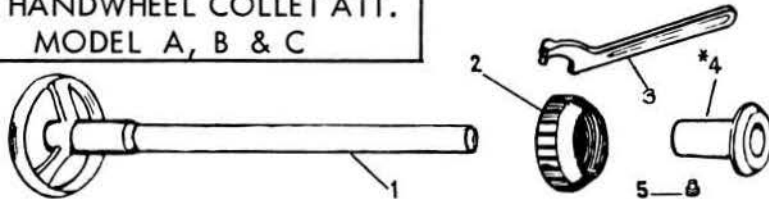
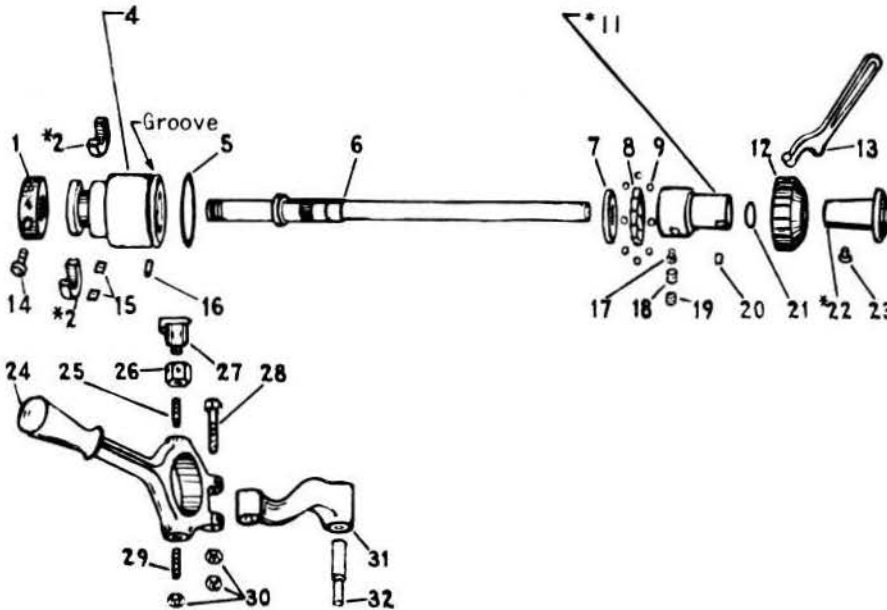


9" HANDWHEEL COLLET ATT.
MODEL A, B & C



ITEM NO.	PART NO.	PART NAME
1	AS793N4	DRAW BAR ASM.
2	PT995NK1	KNOCK-OUT NUT
3	CE2734	SPANNER WRENCH
4	*AS795N1	SLEEVE (5)
5	PT493NH1	KEY

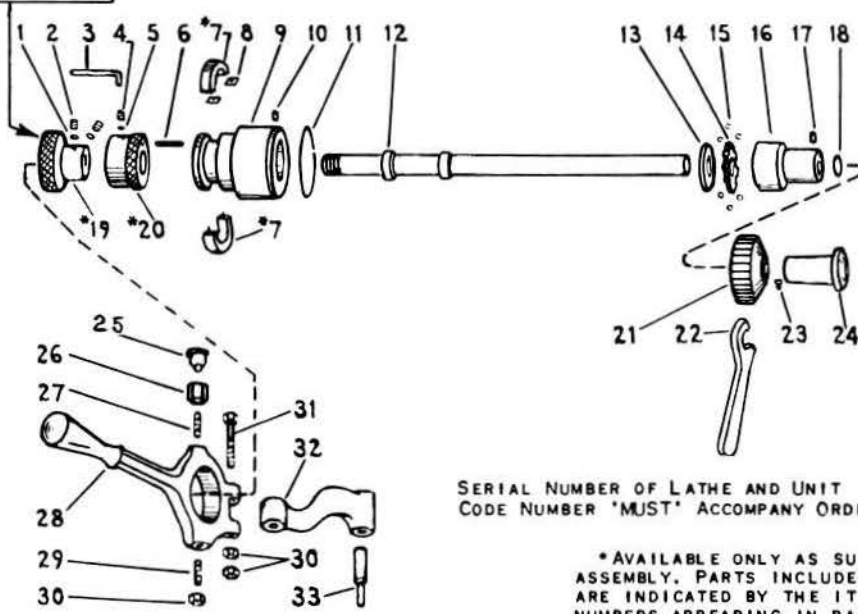
9" HANDLEVER COLLET ATT. OLD STYLE
MODEL A, B & C



1	PT978N1	ADJUSTING NUT
2	*AS988NK1	YOKE SECTOR (15)
3		
4	PT986N3	Order Item 11
5	PT983NK1	SNAP RING
6	PT975N2	DRAW BAR
7	PT981N2	COLLAR
8	PT488N2	BALL RETAINER
9	172x20	CAM BALL
10	PT979N3	SLEEVE
11	*AS979N3	SLEEVE (4-5-7-8-9-16-17-18-19-21)
12	PT995NK1	KNOCK-OUT NUT
13	CE2734	SPANNER WRENCH
14	PT490NH1	STOP NUT SCREW
15	256x11	WICK
16	PT1823	PIN
17	PT984NH1	SHOE
18	162x52	SPRING
19	PT489NH1	SCREW
20	160X58	PIN
21	PT976N1	SNAP RING
22	*AS795N1	SLEEVE (23)
23	PT493NH1	KEY
24	PT990NK1	YOKE LEVER
25	PT492NR&TI	SCREW, WITH HOLE
26	PT494NR&TI	YOKE NUT
27	155x5	OILER
28	PT991NK1	YOKE BOLT
29	PT377NR1	SCREW
30	PT1058NR1	NUT
31	PT993NK2	YOKE BRACKET
32	PT997NK1	BRACKET STUD

9" HANDLEVER COLLET ATT. NEW STYLE
MODEL A, B & C

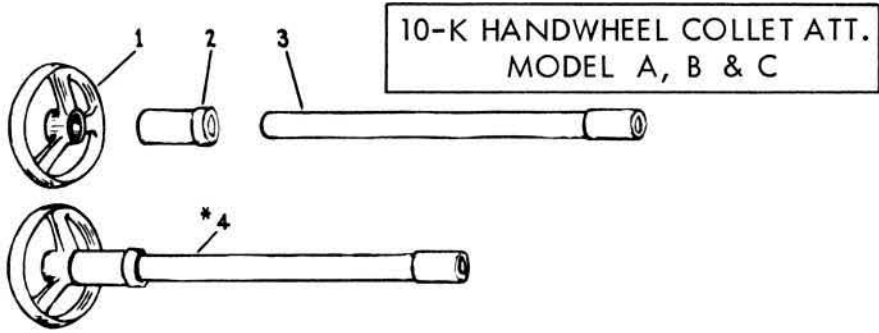
Code Number Stamped Here



SERIAL NUMBER OF LATHE AND UNIT CODE NUMBER 'MUST' ACCOMPANY ORDER

* AVAILABLE ONLY AS SUB-ASSEMBLY. PARTS INCLUDED ARE INDICATED BY THE ITEM NUMBERS APPEARING IN PARENTHESIS AFTER PART NAME.

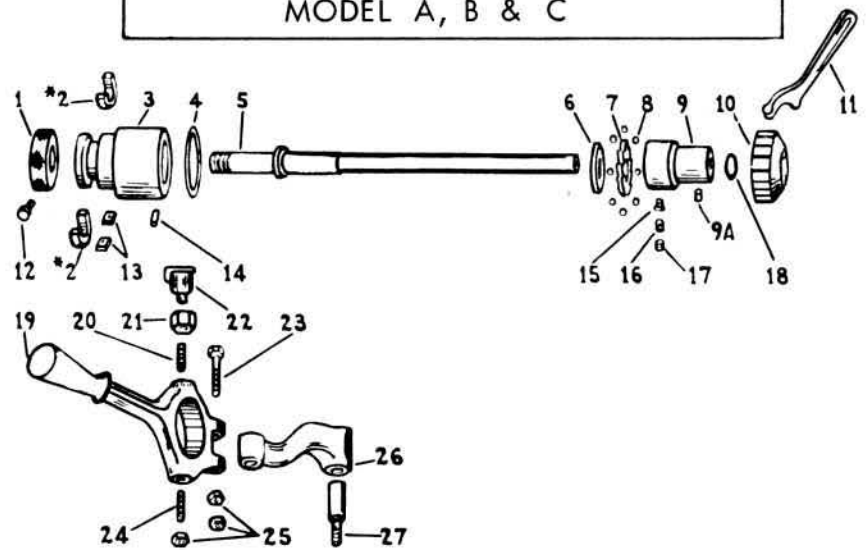
1	PT4809RH1	SHOE
2	120x903	SET SCREW
3	CE2392	WRENCH
4	126x503	SET SCREW
5	PT1078RH1	SHOE
6	PT1859-1	PIN
7	*AS988NK1	YOKE SEGMENT (8)
8	256x11	FELT WICKS
9	PT986N4	CLUTCH YOKE CONE
10	PT1823	PIN
11	PT983NK1	CONE SNAP RING
12	PT975N3	DRAW BAR
13	PT981N2	COLLAR
14	PT488N2	BALL RETAINER
15	172x20	STEEL BALL
16	PT979N4	CLUTCH SLEEVE
17	160x58	SPINDLE PIN
18	PT976N1	BAR SNAP RING
19	*AS978N2	CL. STOP NUT (1-2)
20	*AS998N1	LOCK COLLAR (4-5)
21	PT995NK1	KNOCK OUT NUT
22	CE2734	SPANNER WRENCH
23	PT493NH1	KEY
24	*AS795N1	SLEEVE (23)
25	155x5	OILER
26	PT494NR&TI	YOKE LEVER NUT
27	PT492NR&TI	YOKE LEVER SCREW
28	PT990NK1	YOKE LEVER
29	PT377NR1	SCREW
30	PT1058NR1	JAM NUT
31	PT991NK1	YOKE BOLT
32	PT993NK2	YOKE BRACKET
33	PT997NK1	BRACKET STUD



10-K HANDWHEEL COLLET ATT. MODEL A, B & C

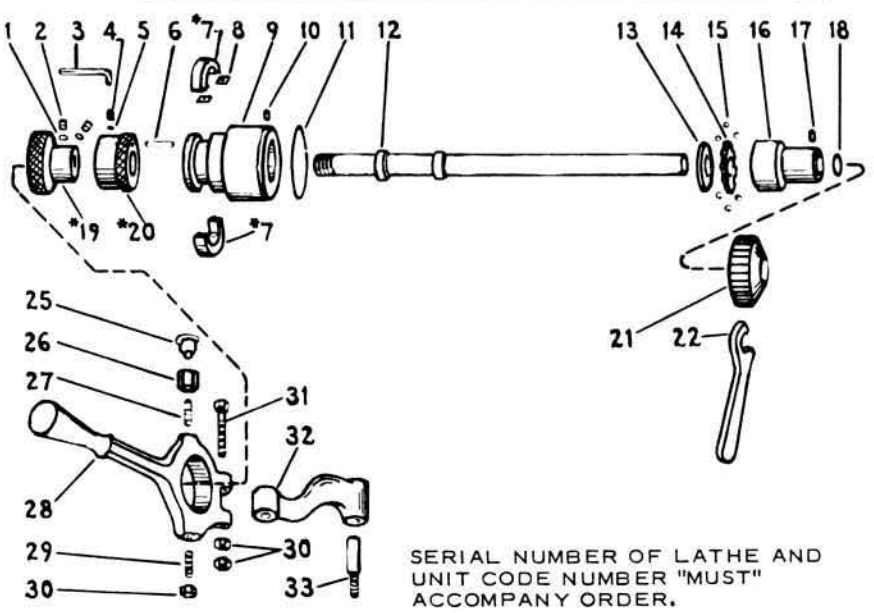
ITEM NO.	PART NO.	PART NAME
1	AS798K1	HANDWHEEL
2	PT794K1	DRAW BAR SLEEVE
3	PT793K1	DRAW BAR
4	*AS793K1	DRAW BAR (1-2-3)

10-K HANDLEVER COLLET ATT. OLD STYLE MODEL A, B & C



1	PT978K1	ADJUSTING NUT
2	*AS988NK1	YOKE SECTOR (13)
3	PT986K1	YOKE CONE
4	PT983NK1	SNAP RING
5	PT975K1	DRAW BAR
6	PT981K1	COLLAR
7	PT488K1	BALL RETAINER
8	172X20	CAM BALL
9	PT979K1	SLEEVE
9A	160X58	PIN
10	PT995NK1	KNOCK-OUT NUT
11	CE2734	SPANNER WRENCH
12	PT490NH1	STOP NUT SCREW
13	256X11	WICK
14	PT1823	PIN
15	PT984NH1	SHOE
16	162X2	SPRING
17	PT489NH1	SCREW
18	PT409R1	SNAP RING
19	PT990NK1	YOKE LEVER
20	PT492NR&T1	SCREW-WITH HOLE
21	PT494NR&T1	YOKE NUT
22	155X5	OILER
23	PT991NK1	YOKE BOLT
24	PT377NR1	SCREW
25	PT1058NR1	NUT
26	PT993NK2	YOKE BRACKET
27	PT997NK1	BRACKET STUD

10-K HANDLEVER COLLET ATT. NEW STYLE MODEL A, B & C



SERIAL NUMBER OF LATHE AND UNIT CODE NUMBER "MUST" ACCOMPANY ORDER.

*AVAILABLE ONLY AS SUB-ASSEMBLY. PARTS INCLUDED ARE INDICATED BY THE ITEM NUMBERS APPEARING IN PARENTHESIS AFTER PART NAME.

1	PT4809RH1	SHOE
2	120x903	SET SCREW
3	CE2392	WRENCH
4	126x503	SET SCREW
5	PT1078RH1	SHOE
6	PT1859-1	PIN
7	*AS988NK1	YOKE SEGMENT(8)
8	256x11	FELT WICKS
9	PT986K2	CLUTCH YOKE CONE
10	PT1823	PIN
11	PT983NK1	CONE SNAP RING
12	PT975K2	DRAW BAR
13	PT981K1	COLLAR
14	PT488K1	BALL RETAINER
15	172x20	STEEL BALL
16	PT979K2	CLUTCH SLEEVE
17	160x58	SPINDLE PIN
18	PT409R1	SPRING
19	*AS978K2	CL. STOP NUT(1-2)
20	*AS998K1	LOCK COLLAR(4-5)
21	PT995NK1	KNOCK OUT NUT
22	CE2734	SPANNER WRENCH
23		
24		
25	155x5	OILER
26	PT494NR&T1	YOKE LEVER NUT
27	PT492NR&T1	YOKE LEVER SCREW
28	PT990NK1	YOKE LEVER
29	PT377NR1	SCREW
30	PT1058NR1	JAM NUT
31	PT991NK1	YOKE BOLT
32	PT993NK2	YOKE BRACKET
33	PT997NK1	BRACKET STUD