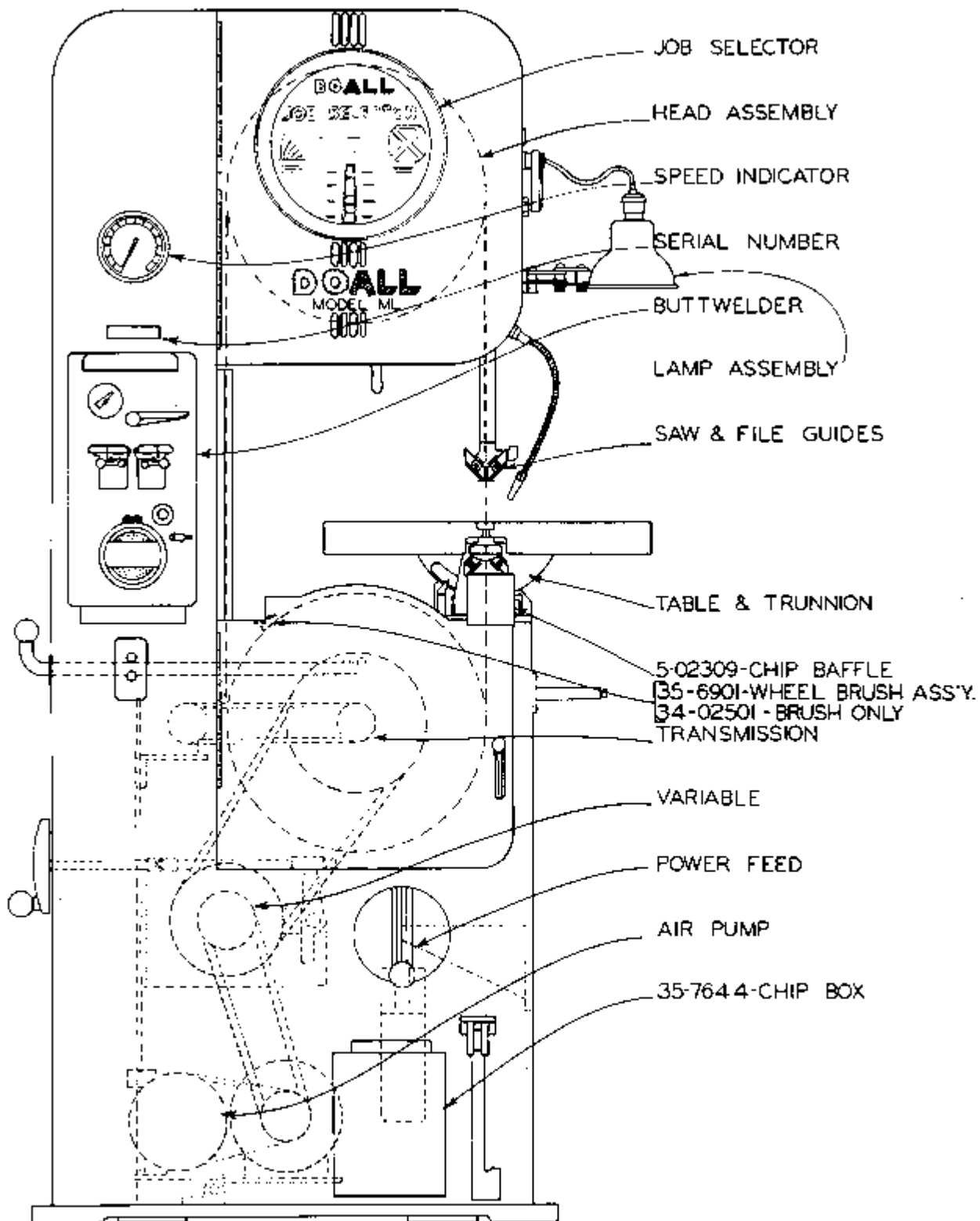


INDEX A-1

FICHE NO. A-1 CLASS Contour MODEL ML SERIAL NO. 3801 TO 5418353

PAGE NO.	DESCRIPTION	FIRST SERIAL	LAST SERIAL	FRAME NO.		FICHE NO.
				DWG.	P.LIST	
C-1-1	Final Assembly	ALL		A-2	A-2	
C-8-52	Air Pump	ALL		A-3&4	A-3&4	
C-7-25	Band Filer	ALL		A-5&6	A-5&6	
C-7-25	Band Polisher	ALL		A-5&6	A-5&6	
H1-19.0	Blade Shear	See Buttweider		F-9	F-10	H-2
C-1-1	Chip Brush	ALL		A-2	A-2	
C-10-21	Coolant	ALL		A-7	A-7	
C-10-7	Cutoff Attach. #1 All Purpose	ALL		A-9	A-10	
C-10-8	Cutoff Attach. #2 Side Mount	3801	to 3/15/51	A-11&12	A-11&12	
C-10-28	Cutoff Attach. #2 Side Mount	3/15/51	to END	A-13	A-14	
C-10-1	Disc Cutter	3801	to 8/1/1944	B-1&2	B-1&2	
C-10-2	Disc Cutter	B/1/1944	to END	B-3	B-4	
C-8-103	Door Handles & Latches	ALL		B-5	B-5	
C-5-2	Drive	3801	to 4612087	B-7&8	B-7&8	
C-5-3	Drive	4612088	to END	B-9&10	B-9&10	
H1-20.0	Etching Pencil	See Buttweider		F-11	F-12	H-2
C-10-18	Filing Fixture for Small Parts	ALL		B-11	B-11	
C-2-4	Head	3801	to 39699	B-13&14	B-13&14	
C-2-5	Head	39700	to 447769	C-1&2	C-1&2	
C-2-6	Head	447770	to 4913966	C-3&4	C-3&4	
C-2-7	Head	4913967	to END	C-5&6	C-5&6	
C-10-22	Heavy Work Clamps	ALL		C-7&8	C-7&8	
C-10-23	Heavy Work Slides	ALL		C-9	C-10	
C-9-51	Hydraulic Contour Feed	40889	to 436686	C-11	C-11	
C-9-52	Hydraulic Contour Feed	40889	to 436686	C-13&14	C-13&14	
C-9-53	Hydraulic Contour Feed	436687	to END	D-1&2	D-1&2	
C-9-75	Hydraulic Tank	436687	to END	D-3&4	D-3&4	
C-8-104	Job Selector	ALL		D-5	D-6	
C-8-1	Lamp	3801	to 447198	D-7	D-7	
C-8-1A	Lamp	447199	to 5115574	D-8	D-8	
C-8-2	Lamp	5115575	to END	D-9	D-9	
C-10-14	Magnifier	3801	to 7/1/1943	D-11&12	D-11&12	
C-10-15	Magnifier	7/1/1943	to END	D-13	D-14	
C-9-1	Power Feed, Weight Type	3801	to 4813605	E-1&2	E-1&2	
C-9-2	Power Feed, Weight Type	4813606	to END	E-3&4	E-3&4	
C-10-20	Ratchet Feed	ALL		E-5	E-6	
C-10-34	Rip Fence	ALL		E-7&8	E-7&8	
C-7-1	Saw Guides	ALL		E-9	E-9	
C-10-21	Saw Lubricator	ALL		A-7	A-7	
C-10-17	Screw Feed	ALL		E-10	E-10	
C-5-101	Speed Indicator	ALL		E-11&12	E-11&12	
C-3-2	Table & Trunnion, 4 Way Tilt	3801	to 4712768	E-13	E-13	
C-3-3	Table & Trunnion, 4 Way Tilt	4712769	to 5118030	E-14	E-14	
C-3-23	Table & Trunnion, 2 Way Tilt	5115526	to END	F-1	F-1	
C-9-107	Table Supports	ALL		F-3	F-4	
C-4-2	Transmission	3801	to 4712809	F-5&6	F-5&6	
C-4-3	Transmission	4712810	to END	F-7&8	F-7&8	
C-4-41	Transmission	See Note On Drawing		F-9	F-10	
C-5-35	Variable Speed Pulley	ALL		F-11	F-12	
C-4-2	Wheel, Lower	3801	to 4712809	F-5&6	F-5&6	
C-4-3	Wheel, Lower	4712810	to END	F-7&8	F-7&8	
C-2-4	Wheel, Upper	3801	to 39699	B-13&14	B-13&14	
C-2-5	Wheel, Upper	39700	to 447769	C-1&2	C-1&2	
C-2-6	Wheel, Upper	447770	to 4913966	C-3&4	C-3&4	
C-2-7	Wheel, Upper	4913967	to END	C-5&6	C-5&6	
C-10-16	Work Holding Jaws	ALL		F-13	F-14	



MODEL ML

PRINTED IN U.S.A.

C-1-1

**PARTS USED BEFORE SERIAL NOS

V-60	605128
V-6	1651825
ML	5-3875
V-36	26514872
V-26	26512426
Z-15	5116218
Z-24-16	5-36119
Z-60	6055851

4133 ADAPTER WAS 35-7312
 4385 NUT WAS 5-1-517
 4097 AIR HOSE REPLACES 6-0-502 AND 12-11564
 5-115-B BRACKET WAS 17-1301

NOTE BEFORE THE SERIAL NOS.

ML	4813270	V16	1648413	V26	26482019
V36	3648177	V60	6048117	Z16	4818271
Z526	4826119			Z36	4855736

Z36-16 4836067
 REPLACE 35-6736 WITH 5-11001 &
 REPLACE 35-6735 WITH 5-11002 OR
 REPLACE 35-6735 & 35-6736 AT THE
 SAME TIME.

CONNECTOR Z36 ONLY
 35-1496

C-6-32 Z-7-31

I-SPRING 4658

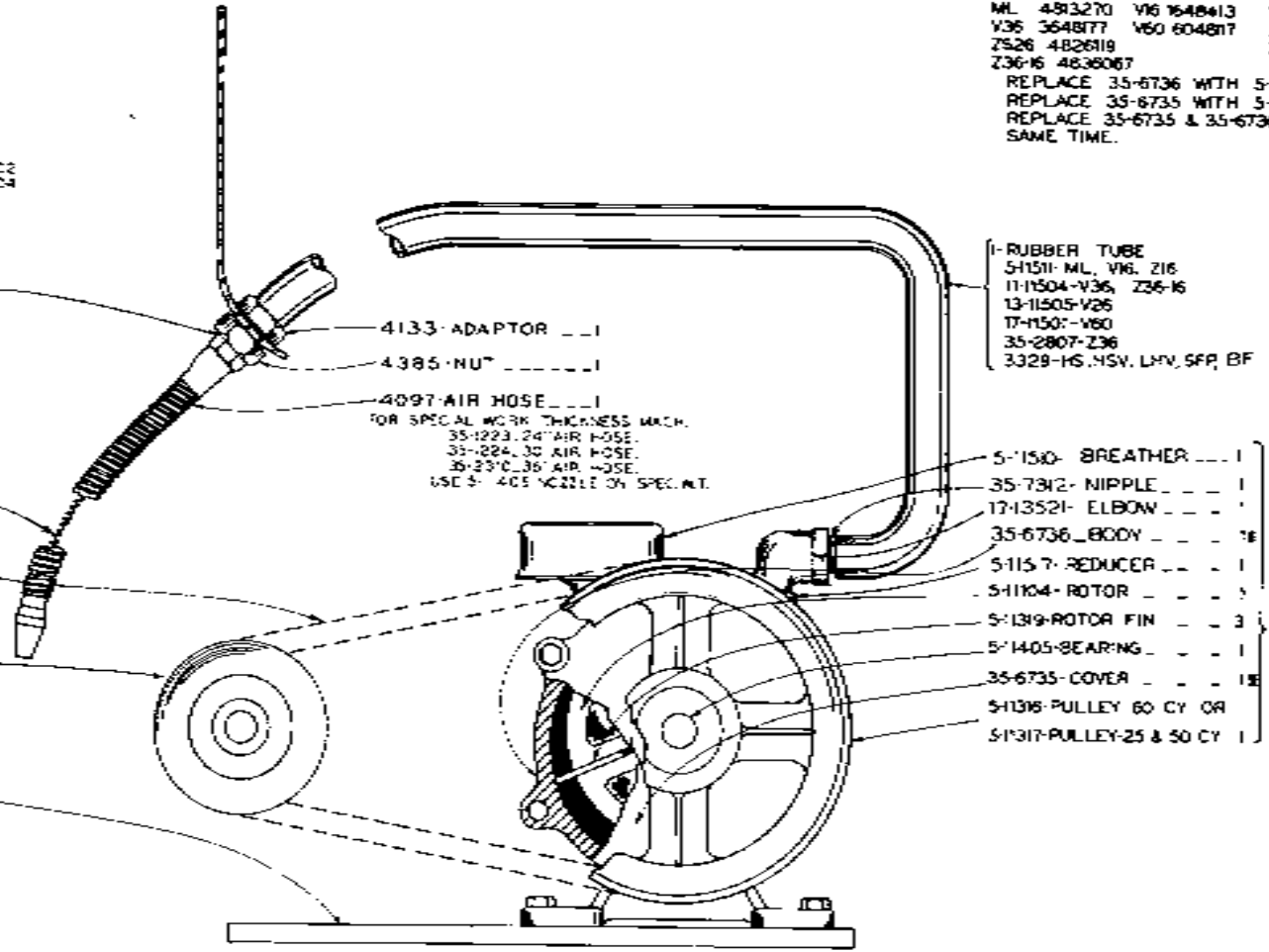
GIVE BELT LENGTH WHEN ORDERING.

GIVE MOTOR SPEED & SHAFT DIAMETER WHEN ORDERING PULLEY

1-AIR PUMP BRACKET

ML V16, V36, Z36	5-11318
V26	2-025
**V60	5-11318
Z16, Z36-16	35-2260

LHV, SFP, HS, HSV, BF 21381



THIS ASSEMBLY 5-11002 SPECIFY CYCLE

MODEL	ASSY NO
LHV, SFP, HS, HSV, BF-50642	
ML, V16	5-11005
V26	35-995
V36	35-5362
V36-3	35-5382
V60	35-5363
Z16	35-2712
Z36-16	35-5364
Z36	35-1722

MODEL	FIRST MACH	LAST MACH
HSV	25-4501	26-53126
BF	42-5210	42-54286
LHV, SFP	27-5428	27-54185
HS	25-51219	25-54170
M	4-3596	54-5353
V-6	4-13028	
V-26	2641316	26532923
V-36	3641755	36535628
V-36-3	37-51101	37-53204
V-60	604159	6052142
Z-16	45-6051	53-6402
Z-36-16	4726051	5336145
Z-36	4405136	5064436

AIR PUMP ASSEMBLY

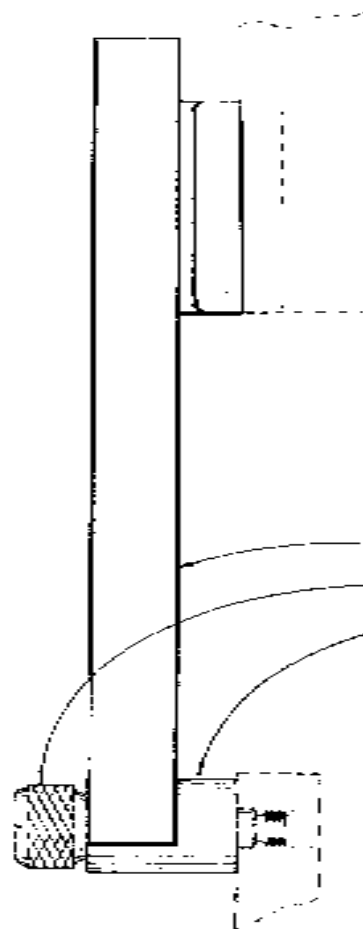
FILE GUIDES

- $\frac{1}{4}$ " x $6\frac{1}{4}$ " FILE GUIDE - - 34-09002
- $\frac{3}{8}$ " x $8\frac{1}{8}$ " FILE GUIDE - - 34-09003
- $\frac{1}{2}$ " x $8\frac{1}{8}$ " FILE GUIDE - - 34-09004
- $\frac{1}{4}$ " x $12\frac{1}{2}$ " FILE GUIDE - - 34-09005
- $\frac{3}{8}$ " x $12\frac{1}{2}$ " FILE GUIDE - - 34-09006
- $\frac{1}{2}$ " x $12\frac{1}{2}$ " FILE GUIDE - - 34-09007

- I-SCREW - - - - - 34-09001
- I-BACKUP - - - - - 34-09312

FILE GUIDE ASSEMBLY

FIRST UNIT 4-11-38



- 6-10001-BACKUP ASSEMBLY - - - 1
- 34-09001-BACKUP SCREW - - - 1
- 34-10402-GUIDE BACKUP - - - 1

NOTE: COMPLETE ASSY.
INCLUDES BACKUP ASSY,
BACKUP, 3 BANDS AND
GRAPHITE GUN

- 115" - - - - - 35-5468
- 175" - - - - - 24439
- 160" - - - - - 35-5469
- 183" - - - - - 24440

BAND POLISHING ASSEMBLY

FIRST UNIT 4-11-38

C-7-25 CM-7-24

Printed in U.S.A.

THIS ATTACHMENT IS RECOMMENDED
FOR LOW SPEED MACHINES.
SEE SPRAY LUBRICATOR.

NON MODEL

5-27403-SLIDE ROD IS.----- 35-1072
5-27301-TUBING IS.----- 35-7114

5-27304-HOLDER-FEMALE ----- 1

35-5033-CAN ASSEMBLY ----- 1

6-23509-UNION ----- 1
35-2139-INSERT ----- 1

5-27512-TUBING-GIVE LENGTH ----- 1

6-23510-ELBOW ----- 1

5-27508-ELBOW ----- 1

5-27507-VALVE ----- 1

34-17401-THUMBSCREW ----- 1

HOLDER ----- 1

5-27102-ML, V16, V26, V36, V36-3, V60,
16-1-16-2, 36-2, 26-2, 60-2

35-1335- Z-36 ----- 1

35-7329-HS, HSV, LHV, SFP, ----- 1

35-4035- Z-16, Z-36-16 ----- 1

5-27508-ELBOW ----- 1

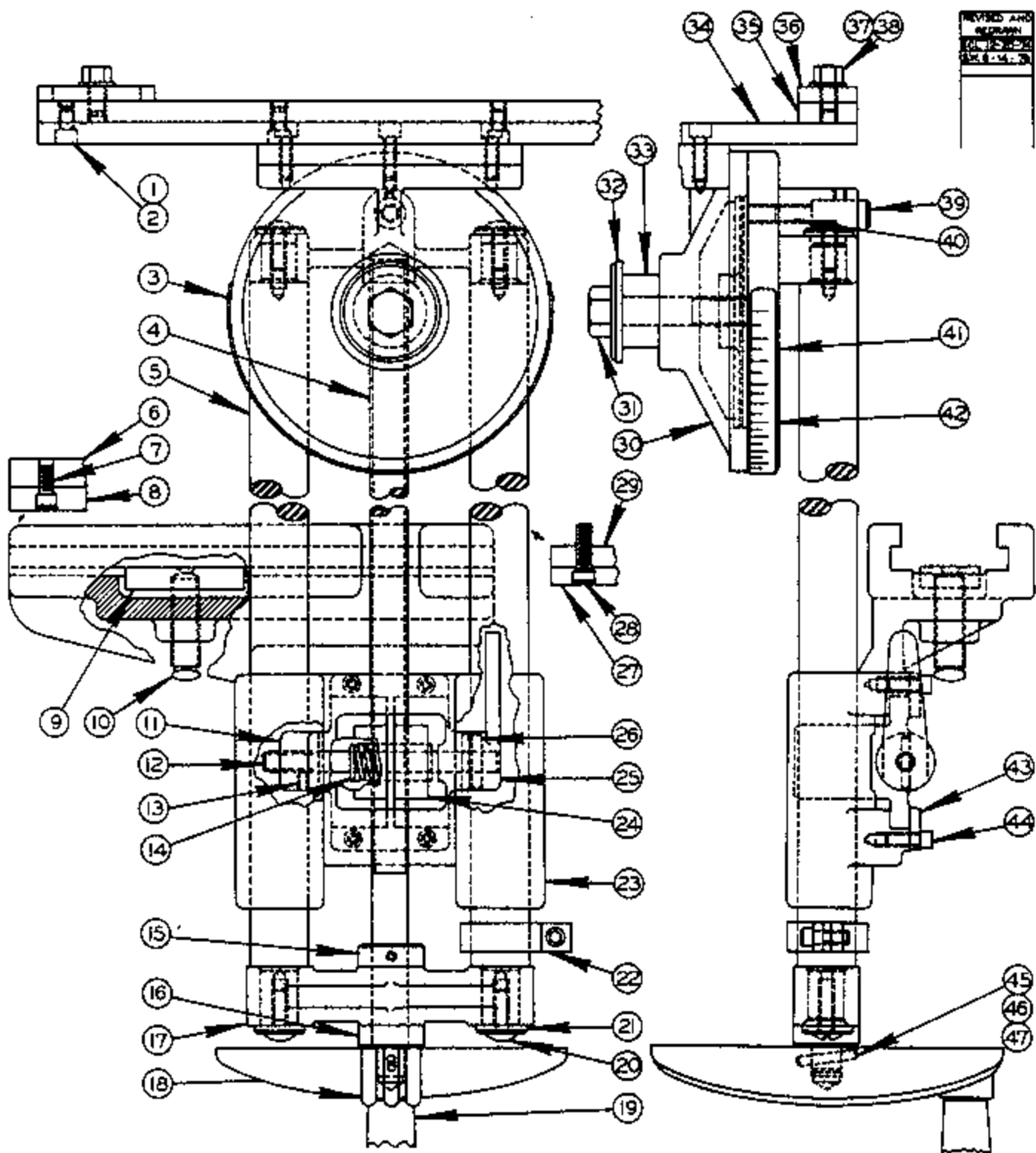
5-27403-SLIDE ROD ----- 1 *

5-27301-TUBING ----- 1 *

** V26 V60, 26-2, 60-2 4 0699
ML, V16, V36, V36-3, 16-1, 16-2,
36-2 ----- 4 0691
HS, HSV, LHV, SFP, 35-7328

FIRST MACHINE 4-11-1938
LAST MACHINE 12-31-1959

** COOLANT DRIP APPLICATOR



ALL PURPOSE MITRE ATTACHMENT ASSEMBLY

No. 1 ALL PURPOSE CUT-OFF, RIPPING AND MITERING ATTACHMENT

INDEX NO.	CATALOG NO.	DESCRIPTION	UNITS PER ASS'Y
Ref.	090-504937	No. 1 All Purpose Cut-off, Ripping & Mitering Attachment(24 x 24 Table)	
Ref.	111-280046	No. 1 All Purpose Cut-off, Ripping & Mitering Attachment(30 x 30 Table)	
Ref.	135-054278	No. 1 All Purpose Cut-off, Ripping & Mitering Attachment(36 x 36 Table)	
1	135-051852	. All Purpose Mitre Attachment Sub-Assembly	1
2	091-982355	. . Screw, Soc. Hd. Cap 1/4-20NC x 3/8	7
3	091-993972	. . Screw, Rd. Hd. Drive #2 x 1/4 P. K.	4
4	111-284162	. . Feed Screw	1
5	111-284154	. . Slide Rod	2
6	106-283013	. L.H. Table Guide Spacer (24" Table)	Use
	111-283032	. L.H. Table Guide Spacer (30" Table)	
	135-047256	. L.H. Table Guide Spacer (36" Table)	One
7	091-982363	. Screw, Soc. Hd. Cap 1/4-20NC x 1/2	2
8	106-283021	. L.H. Table Guide(24" Table)	Use
	111-283024	. L.H. Table Guide(30" Table)	
	135-047264	. L.H. Table Guide(36" Table)	One
9	111-283040	. . Locking Pad	1
10	111-284097	. . Locking Pad Set Screw	1
11	111-281101	. . Split Nut Adjusting Nut	1
12	111-284170	. . Split Nut Adjusting Pin	1
13	091-984104	. . Screw, Soc. Set #10-24NC x 1/4	3
14	111-285086	. . Split Nut Spring	1
15	111-284188	. . Screw Collar	1
16	111-284196	. . Screw Handwheel Collar	1
17	111-291084	. . Slide Rod & Handle Bracket	1
18	134-051036	. . Handwheel	1
19	091-181164	. . Speed Change Handle	1
20	091-990192	. . Screw, Truss Hd. Mach. 1/4-20NC x 3/4	4
21	111-284204	. . Slide Rod Washer	4
22	111-281093	. . Feed Stop Collar	1
23	111-281077	. . Table Slide Casting	1
24	111-281119	. . Split Nut	1
25	111-281127	. . Split Nut Adjusting Handle	1
26	090-042334	. . Roll Pin	1
27	106-283039	. R.H. Table Guide (24" Table)	Use
	111-283081	. R.H. Table Guide (30" Table)	
	135-047280	. R.H. Table Guide (36" Table)	One
28	091-982421	. Screw, Soc. Hd. Cap 1/4-20NC x 1	6
29	106-283047	. R.H. Table Guide Spacer (24" Table)	Use
	111-283073	. R.H. Table Guide Spacer (30" Table)	
	135-047272	. R.H. Table Guide Spacer (36" Table)	One
30	111-281028	. . Mitre Head	1
31	091-980714	. . Screw, Hex. Hd. Cap 1/2-13NC x 2-1/2	1
32	111-284055	. . Power Feed Chain Washer	1
33	111-284105	. . Power Feed Chain Collar	1
34	111-283016	. . Mitre Bar Support	1
35	111-283065	. . Mitre Bar	1
36	111-283057	. . Work Stop	1
37	091-992628	. . Washer, 5/16" Std.	1
38	091-980250	. . Screw, Hex. Hd. Cap 5/16-18NC x 1/2	1
39	111-284139	. . Mitre Head Support Pin	1
40	091-984385	. . Screw, Soc. Hd. Set 5/16-18NC x 5/8	1
41	111-281069	. . Mitre Head Base	1
42	111-285052	. . Mitre Head Graduated Plate	1
43	111-283099	. . Split Nut Side Plate	1
44	091-982215	. . Screw, Soc. Hd. Cap #10-24NC x 5/8	5
45	090-042599	. . Roll Pin	1
46	091-164426	. . Screw, Soc. Hd. Shoulder	1
47	091-156323	. . Washer	1
	091-181172	. . Pin (Not Shown)	1

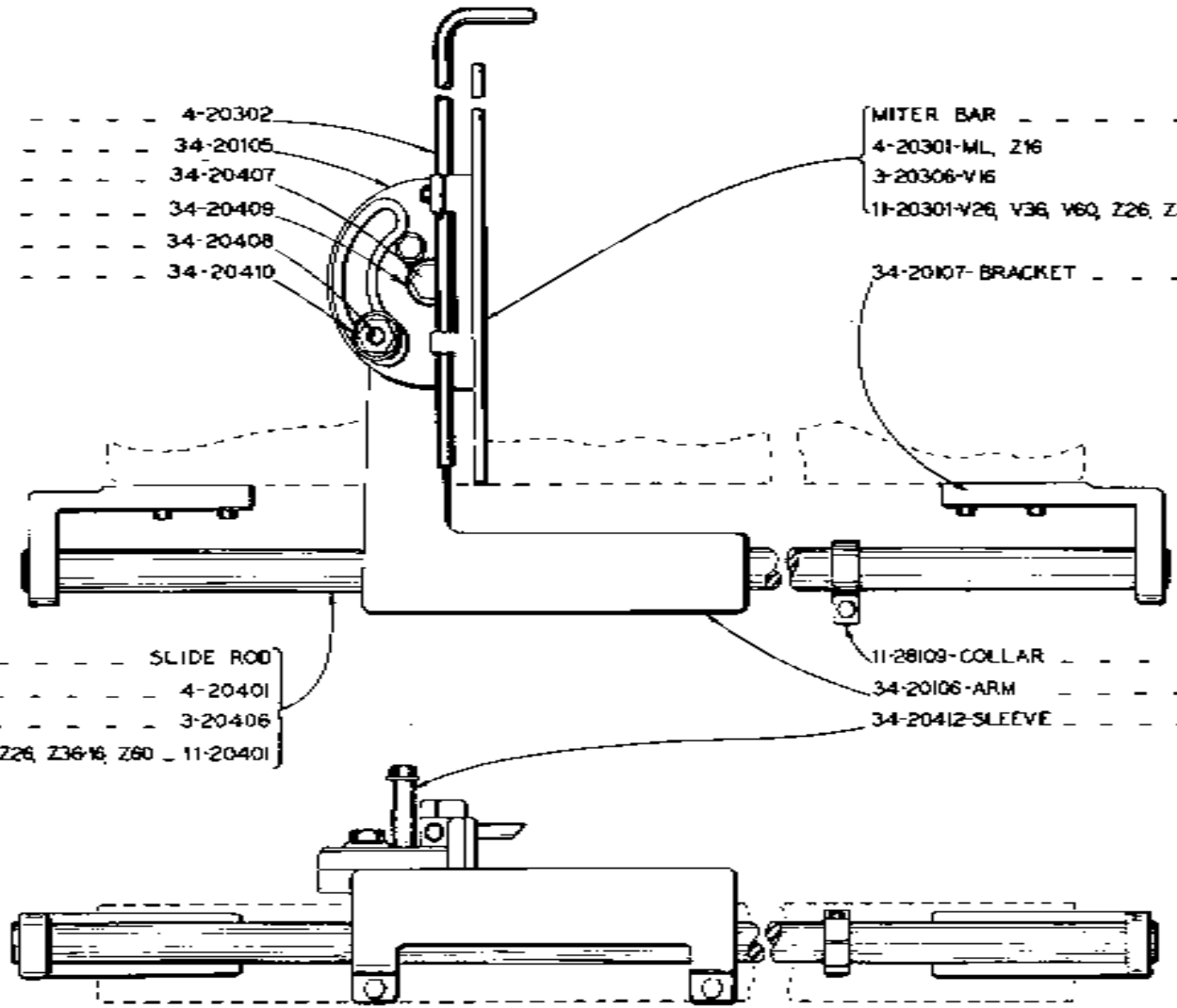
C-10-8 Z-10-5

- 1-GAUGE ROD - - - - - 4-20302
- 1-HEAD - - - - - 34-20105
- 1-PIVOT - - - - - 34-20407
- 1-WASHER - - - - - 34-20409
- 1-STUD - - - - - 34-20408
- 1-WASHER - - - - - 34-20410

- MITER BAR - - - - - 1
- 4-20301-ML, Z16
- 3-20306-V16
- 11-20301-V26, V36, V60, Z26, Z36-16, Z60
- 34-20107-BRACKET - - - - - 2

- 1 - - - - - SLIDE ROD
- ML, Z16 - - - - - 4-20401
- V16 - - - - - 3-20406
- V26, V36, V60, Z26, Z36-16, Z60 - 11-20401

- 11-28109-COLLAR - - - - - 1
- 34-20106-ARM - - - - - 1
- 34-20412-SLEEVE - - - - - 1



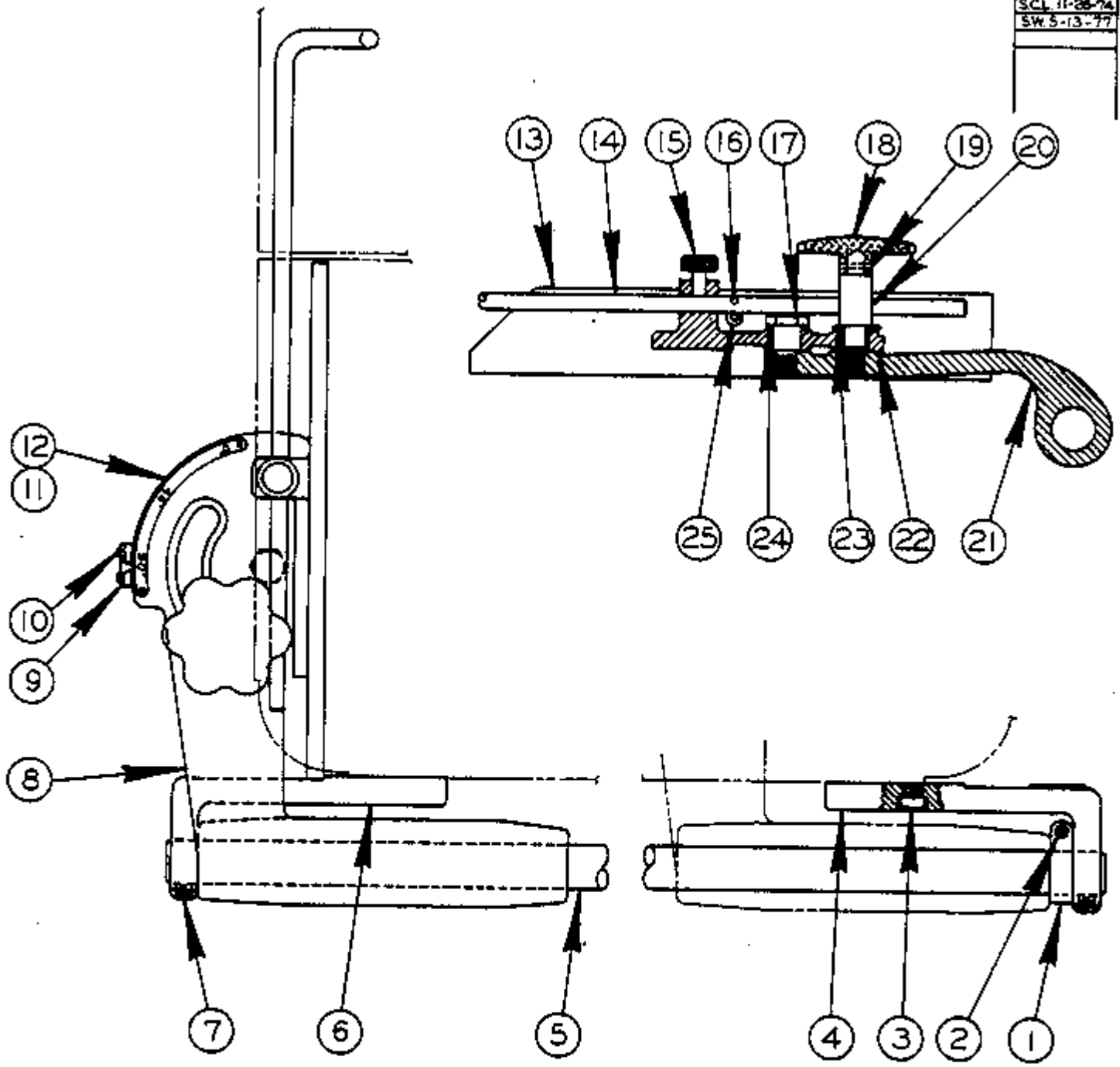
MODEL	ASSY NO.
V16 - - - - -	35-5304
ML, Z16 - - - - -	5-20001
V26, V36, V60, Z26, Z36-16, Z60 - - - - -	35-5301

CUT OFF & MITERING ATTACHMENT

FIRST MACHINE 4-1-38
 LAST MACHINE 3-15-51

PRINTED IN U.S.A.

REVISED AND REDRAWN
SCL 11-28-74
SW 5-13-77



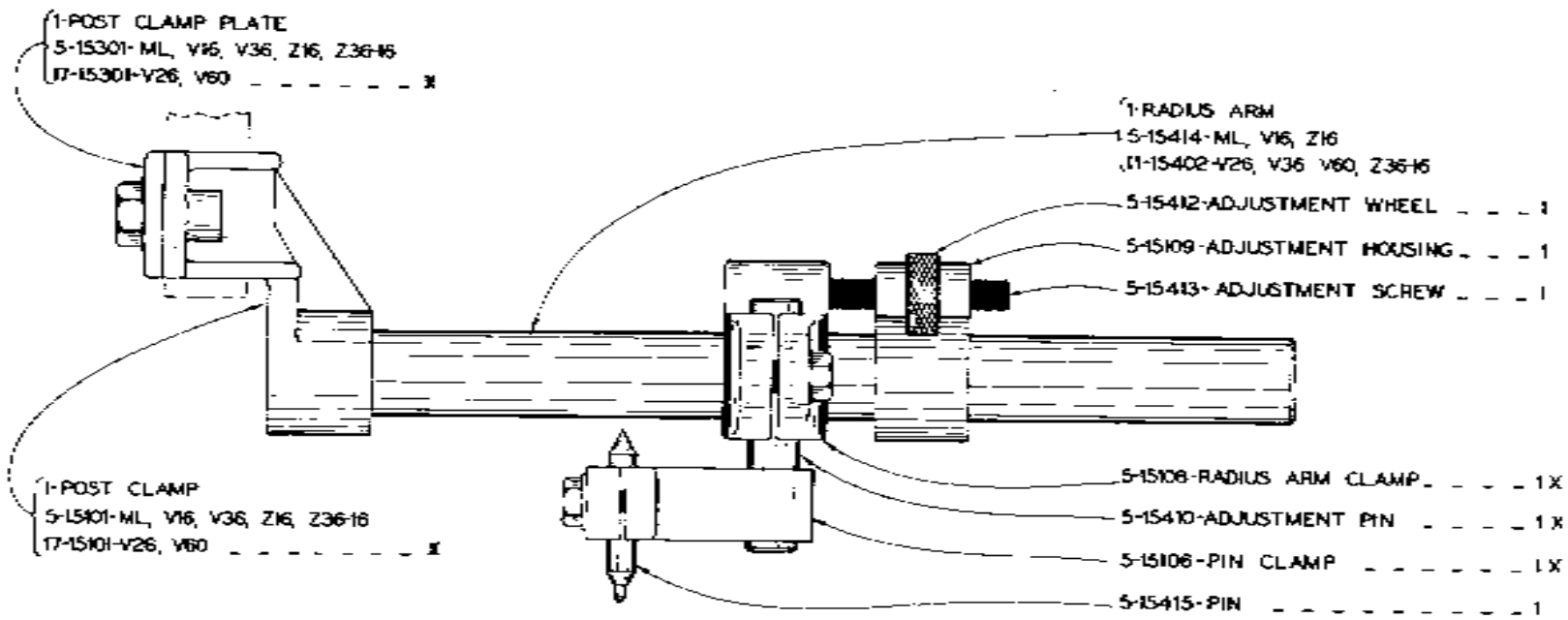
NO. 2
STANDARD CUT-OFF & MITERING ATTACHMENT
(SIDE MOUNT)

NO. 2 STD. CUT-OFF & MITERING ATTACHMENT

INDEX NO.	CATALOG NO.	DESCRIPTION	UNITS PER ASS'Y.
Ref.	090-504192	No. 2 Std. Cut-off & Mitering Attachment (20" x 20" Table)	
Ref.	090-552902	No. 2 Std. Cut-off & Mitering Attachment (24" x 24" Table)	
Ref.	090-553058	No. 2 Std. Cut-off & Mitering Attachment (26" x 26" Table)	
Ref.	090-505116	No. 2 Std. Cut-off & Mitering Attachment (30" x 30" Table)	
1	111-281093	.. Stop	1
2	091-982207	.. Screw, Soc. Hd. Cap, No.10-24NC x 1/2" (20" & 24" Tables)	1
	091-983783	.. Screw, Soc. Hd. Cap No.10-24NC x 5/16" (26" Table)	1
	091-984237	.. Screw, Soc. Hd. Set, 1/4-20NC x 5/16" (30" Table)	1
3	091-982769	.. Screw, Soc. Hd. Cap, 3/8-16NC x 1/2" (20" & 30" Tables)	4
	091-982785	.. Screw, Soc. Hd. Cap, 3/8-16NC x 3/4" (24" & 26" Tables)	4
4	090-036823	.. Rear Slide Rod Bracket (20" Table)	1
	090-295833	.. Rear Slide Rod Bracket (24", 26", & 30" Tables)	1
5	103-204061	.. Slide Rod (20" Table)	1
	104-204011	.. Slide Rod (24" Table)	1
	091-019356	.. Slide Rod (26" Table)	1
	091-019316	.. Slide Rod (30" Table)	1
6	090-036815	.. Front Slide Rod Bracket (20" Table)	1
	090-295841	.. Front Slide Rod Bracket (24", 26", & 30" Table)	1
7	091-984237	.. Screw, Soc. Hd. Set 1/4-20NC x 5/16"	2
8	090-507112	.. Miter Attachment Sub-Assembly (20" Table)	1
	090-507104	.. Miter Attachment Sub-Assembly (24" Table)	1
	090-553041	.. Miter Attachment Sub-Assembly (26" Table)	1
	090-507120	.. Miter Attachment Sub-Assembly (30" Table)	1
9	090-036766	.. Pointer	1
10	091-990086	.. Screw, Ovan Hd. Mach. No.8-32NC x 1/4" (Cad. Pltd.)	2
11	090-036724	.. Degree Plate	1
12	091-993998	.. Screw, Rd. Hd. Drive, Pk. No.4 x 1/4 Type "U"	4
13	103-203063	.. Miter Bar (20" Table)	1
	104-203013	.. Miter Bar (24" Table)	1
	091-029447	.. Miter Bar (26" Table)	1
	111-203014	.. Miter Bar (30" Table)	1
14	104-203021	.. Gauge Rod	1
15	134-174010	.. Thumb Screw	1
16	090-042540	.. Roll Pin	2
17	134-204072	.. Miter Head Pivot	1
18	090-051319	.. Handwheel	1
19	090-042292	.. Roll Pin	1
20	090-036773	.. Stud	1
21	090-405986	.. Slide Arm	1
22	090-209412	.. Miter Head	1
23	134-204106	.. Locking Stud Washer	1
24	134-204098	.. Pivot Washer	1
25	091-982363	.. Screw, Soc. Hd. Cap, 1/4-20NC x 1/2"	2

NOTE: FOR MODELS V26 & V60
BEFORE SERIAL NOS. 26431075 &
604394 ORDER V36 PARTS OR
ASSEMBLY

NOTE: BEFORE 8-21-41 3 PARTS
MARKED X MUST BE REPLACED AT
THE SAME TIME

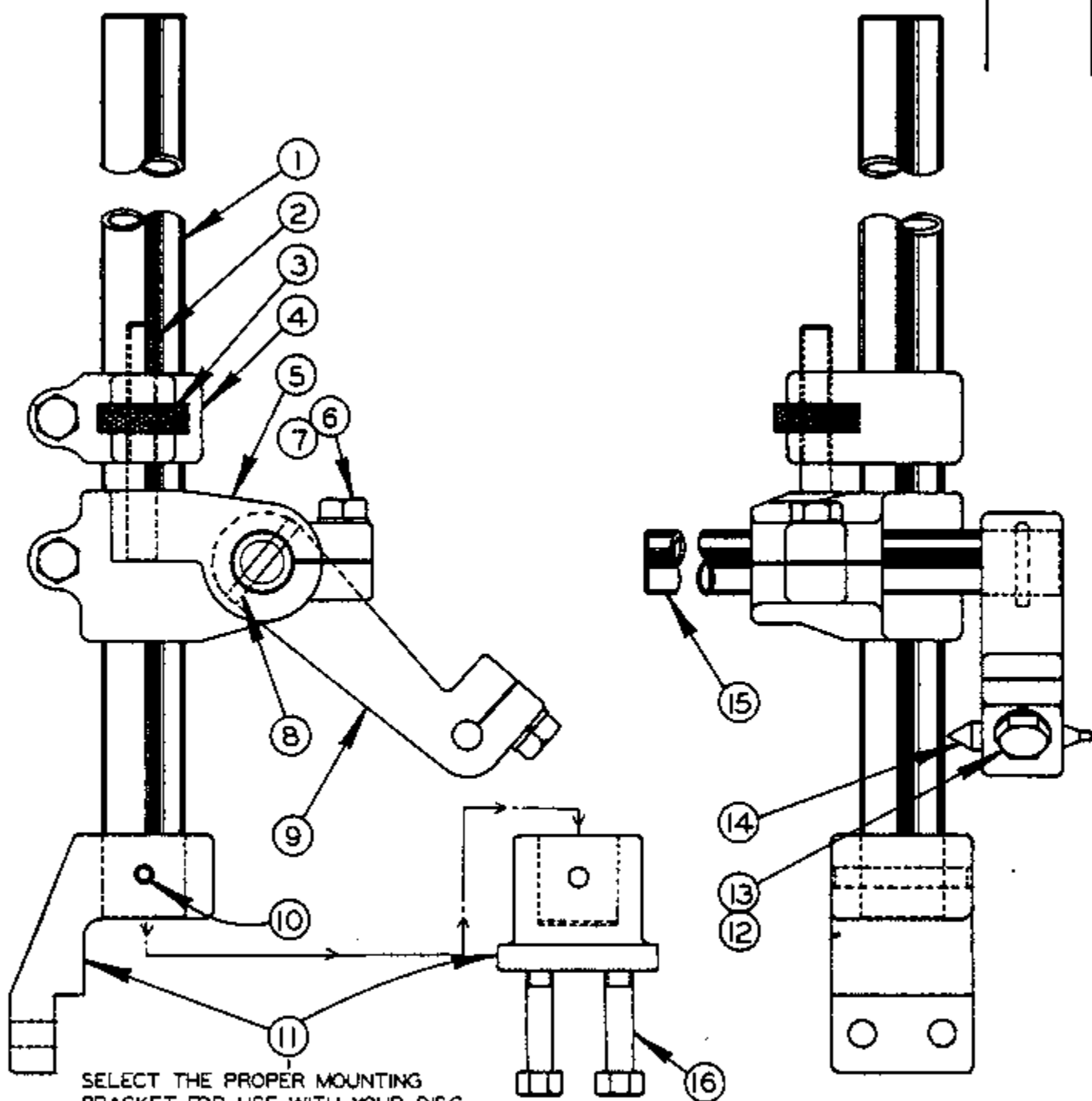


MODELS ML, V16, Z16 - 5-15006
MODELS V36, Z36-16 - 11-15002
MODELS V26, V60 - 35-5471 X
DISC CUTTING ASSEMBLY

FIRST UNIT 4-11-38
LAST UNIT 1954

2-9-1 C-10-1

PRINTED IN U.S.A.

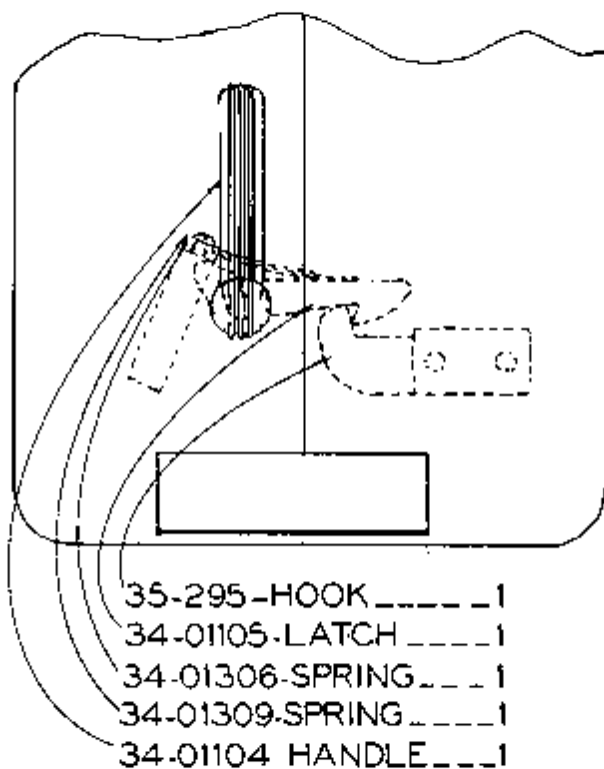
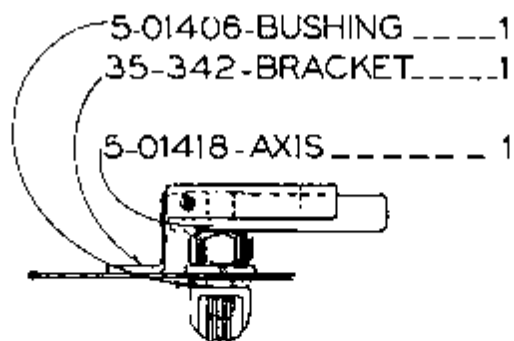


SELECT THE PROPER MOUNTING BRACKET FOR USE WITH YOUR DISC-CUTTER.

DISC CUTTER ASSEMBLY

DISC CUTTER ASSEMBLY

INDEX NO.	CATALOG NO.	DESCRIPTION	UNITS PER ASS'Y
REF.	094-020807	Disc Cutter Assembly (Contour & Contour-Matic Machines)	
REF	090-400441	Disc Cutter Assembly (Zephyr, 6013-3, 6013-H3)	
1	135-033991	. Radius Arm	1
2	105-154132	. Adjustment Screw	1
3	105-154124	. Adjustment Wheel	1
4	105-151096	. Adjustment Housing	1
5	135-034007	. Radius Arm Clamp	1
6	091-980466	. Screw, Hex. Hd. Cap 3/8-16NC x 1	3
7	091-993329	. Washer, Lock 3/8 Std.	3
8	090-042615	. Roll Pin	1
9	135-034023	. Center Pin Clamp	1
10	090-042763	. Roll Pin (Used on Ass'y #094-020807)	1
	090-042755	. Roll Pin (Used on Ass'y #090-400441)	1
11	090-390196	. Bracket (Used on Ass'y #094-020807)	1
	090-200452	. Bracket (Used on Ass'y #090-400441)	1
12	091-980292	. Screw, Hex. Hd. Cap 5/16-18NC x 1	3
13	091-993238	. Washer, Lock 5/16 Std.	3
14	105-154157	. Center Pin	1
15	135-034015	. Center Adjustment Tube	1
16	091-980334	. Screw, Hex. Hd. Cap 5/16-18NC x 2 (DZ-36 Only) ..	2
	091-980318	. Screw, Hex. Hd. Cap 5/16-18NC x 1 1/2 (All other Models)	2
Following Items Not Shown:			
	134-203082	. Wrench	1
	091-980284	. Screw, Hex. Hd. Cap 5/16-18NC x 7/8 (Used Only on Ass'y #094-020807)	



DOOR LATCH ASSEMBLY
 MODEL ML, V16, V26

FIRST UNIT 4-11-38
 LAST UNIT 1-10-55

C-8-103

PRINTED IN U.S.A.

NOTE: BEFORE JULY 10, 1945
35-1605-WASHER WAS 34-05305

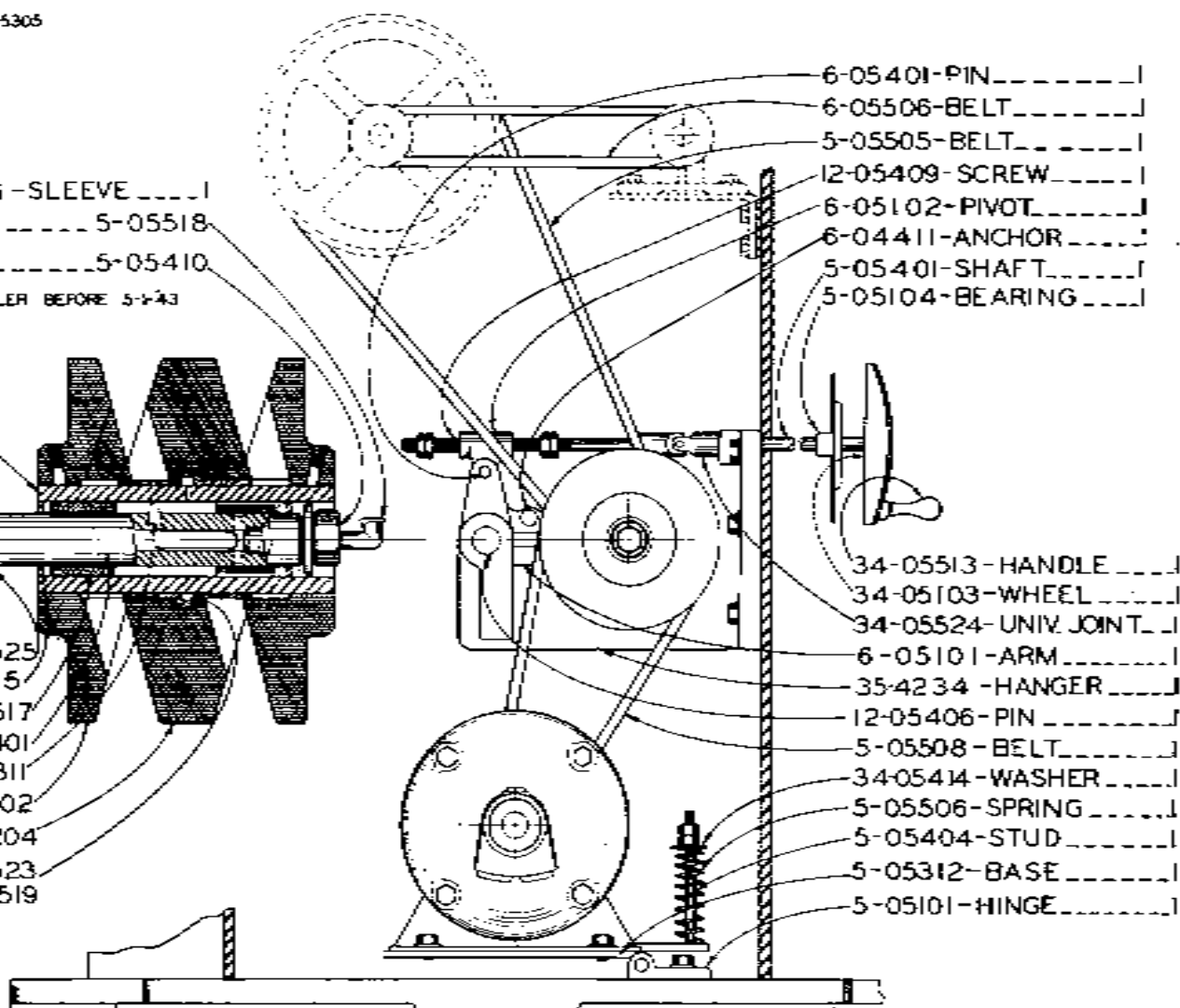
35-1606-SLEEVE 1
1-OILER 5-05518
1-BOLT 5-05410
5-05513-OILER BEFORE 5-2-43

VARIABLE ASSEM.
35-6597

1-RING 34-05525
2-WASHER 35-1605
2-BEARING 34-05517
1-SHAFT 34-05401
1-CARRIER 34-05311
2-SHEAVE 6-05202
1-SHEAVE 34-05204
1-FELT 34-05523
3-GASKET 34-05519

6-05401-PIN 1
6-05506-BELT 1
5-05505-BELT 1
12-05409-SCREW 1
6-05102-PIVOT 1
6-04411-ANCHOR 1
5-05401-SHAFT 1
5-05104-BEARING 1

34-05513-HANDLE 1
34-05103-WHEEL 1
34-05524-UNIV. JOINT 1
6-05101-ARM 1
35-4234-HANGER 1
12-05406-PIN 1
5-05508-BELT 1
34-05414-WASHER 1
5-05506-SPRING 1
5-05404-STUD 1
5-05312-BASE 1
5-05101-HINGE 1



VARIABLE ASSEMBLY - MODEL ML

B-7 & 8

FIRST MACHINE 3801
LAST MACHINE 4812087

2-5-2

ENGINEER IN CHARGE

NOTE: BEFORE SERIAL NO. 4712583
 REPLACE 11-05512 & 35-6039
 AT THE SAME TIME

- 1-OILER... 11-05512 *
- 1-SCREW... 35-6039 *
- 2-GASKET... 34-0559
- 2-WASHER... 35-2736
- 1-SHAFT... 35-4052
- 1-SHEAVE & SLEEVE
ASSEMBLY... 35-7315

VARIABLE ASSEMBLY
 35-6597

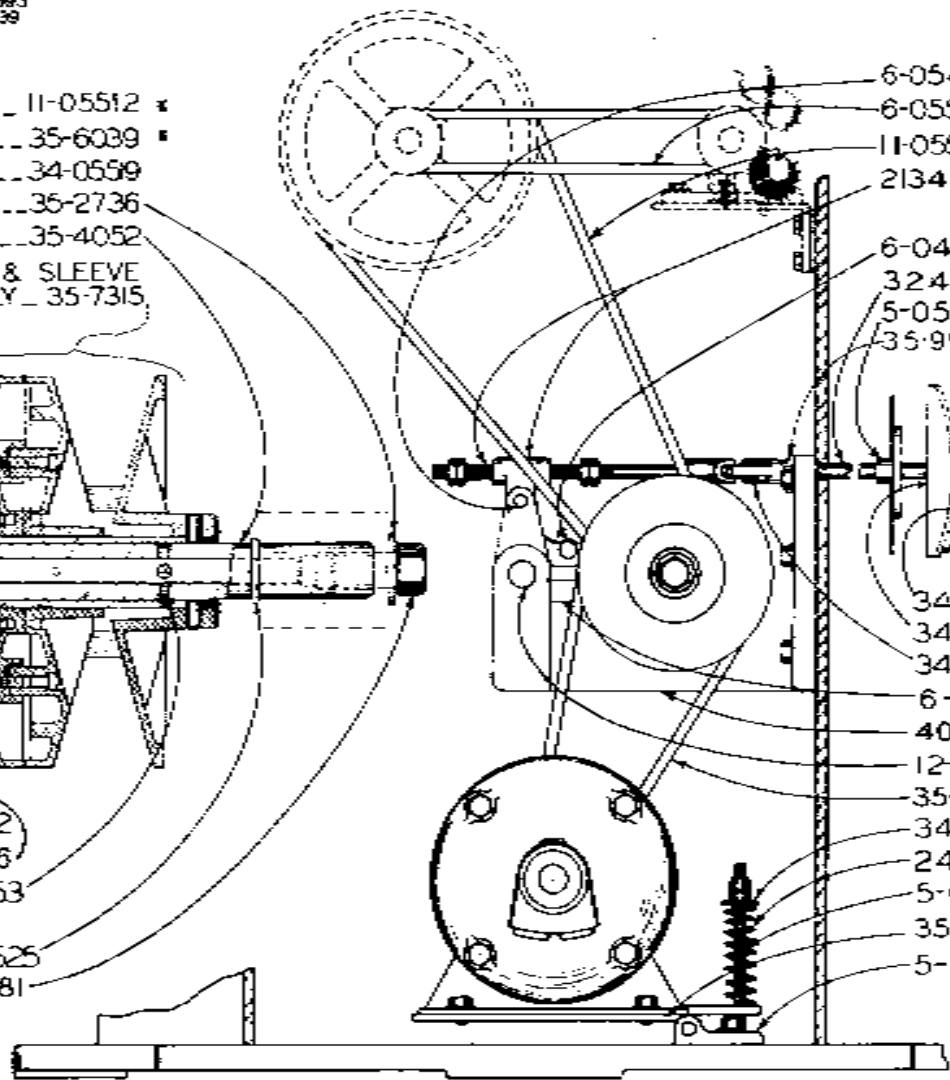
- 3575-RETAINER... 2
- 2-OIL SEAL... 3576
- 8-WICK... 35-4053
- 1-RING... 34-05525
- 1-BOLT... 35-6381

- 6-05401-PIN... 1
- 6-05506-BELT... 1
- 11-05503-BELT... 1
- 21349.VAR. SCREW ASSY... 1

- 6-04411-ANCHOR... 1
- 3247-SHAFT... 1
- 5-05104-BEARING... 1
- 35-993-SHIM... 2

NOTE: WHEN ORDERING
 MOTOR PULLEYS, ORDER
 AS FOLLOWS: _____
 60 CYCLE... 3/4" BORE... 5-05504
 25-50 CYCLE... 3/4" BORE... 35-8125
 FOR 1/2" BORE... 78.37

- 34-05513-HANDLE... 1
- 34-05103-WHEEL... 1
- 34-05524-UNIV. JOINT... 1
- 6-05101-ARM... 1
- 40518-HANGER... 1
- 12-05406-PIN... 1
- 35-6619-BELT... 1
- 34-05414-WASHER... 1
- 2491-SPRING... 1
- 5-05404-STUD... 1
- 35-5162-BASE... 1
- 5-05101-HINGE... 2



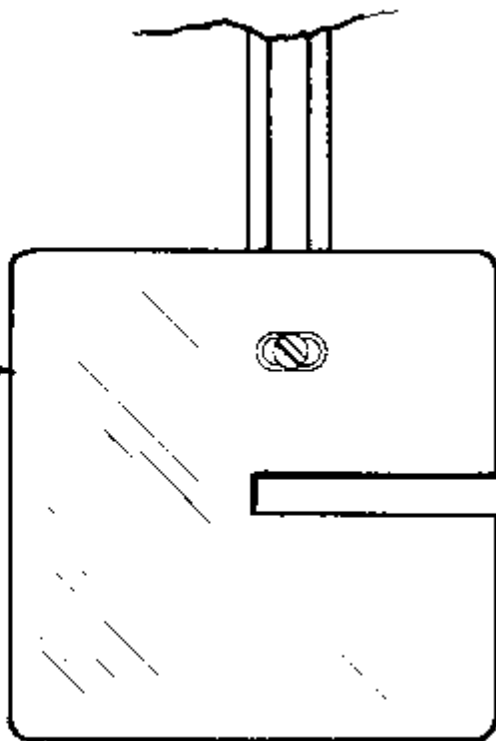
VARIABLE ASSEMBLY - MODEL ML

MODEL FIRST MARCH LAST MARCH
 M. 462088 546353

*NOTE: BEFORE 2-14-46 FILLER PLATE & FILING PLATE MUST BE REPLACED AT SAME TIME.

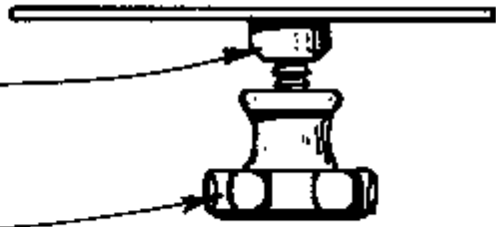
**NOTE: BETWEEN SERIAL NO'S V26 26431075 & 26512420 & V60 604394 & 6051116, ORDER-35-3805 AUX. TABLE FILING PLATE.

*1-FILING PLATE 35-3802



1-FILLER PLATE
FOR TABLE WITH 1" SLOT . . . 35-3803
FOR TABLE WITH 1-1/4" SLOT . . . 35-3798

1-HANDWHEEL AND STUD ASSY.
FOR TABLE WITH 1" SLOT . . . 5-03005
FOR TABLE WITH 1-1/4" SLOT . . . 13-03003

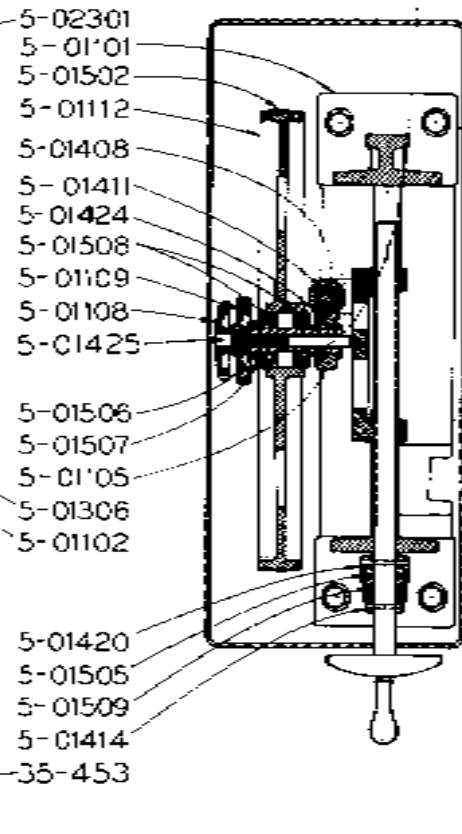
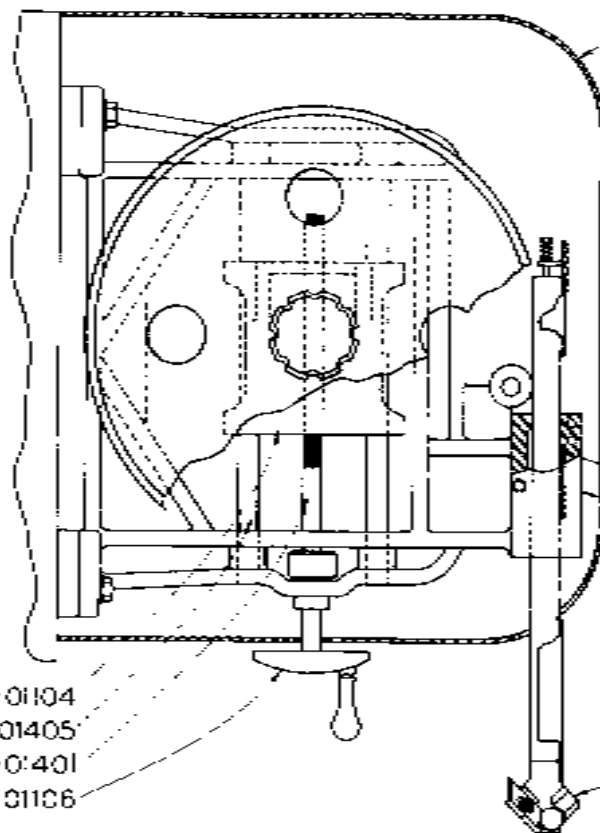
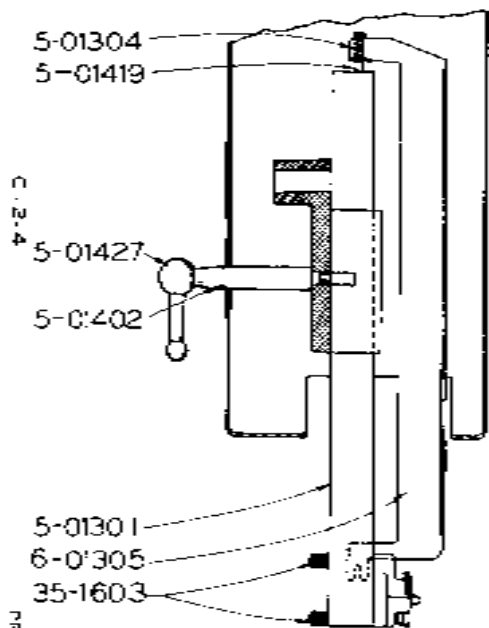


FIRST UNIT 4-11-38

FOR 1" FILLER PLATE . . . 35-3804
FOR 1-1/4" FILLER PLATE . . . 35-3805**

AUXILIARY TABLE FILING PLATE

WASHERS
 5-01307
 (0101)
 5-01308
 (0312)

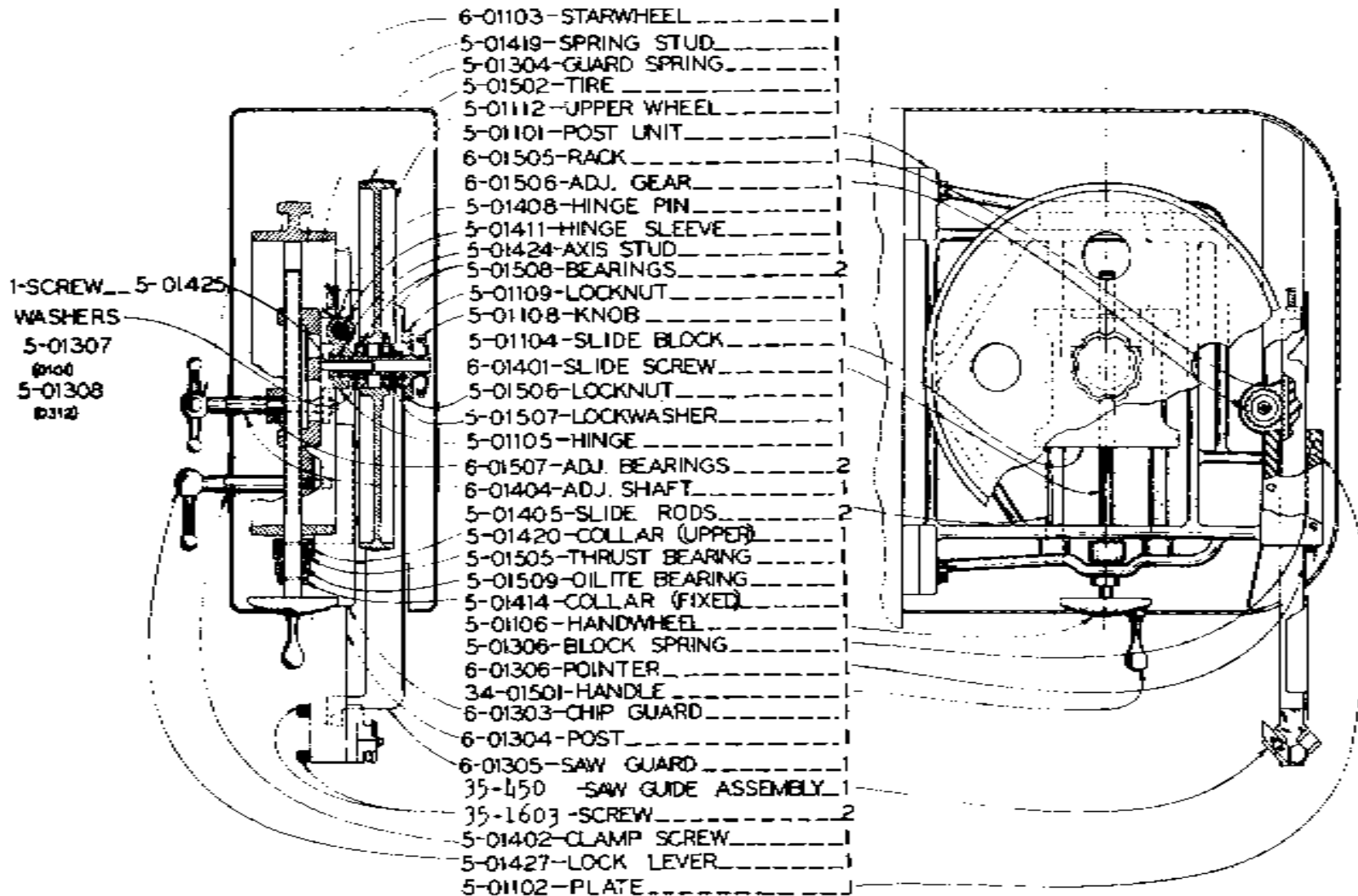


HEAD ASSEMBLY - MODEL ML & V-36

MODEL	ML	V-36
FIRST	3801	363904
LAS	39699	3639119

C-2-4

PRINTED IN U.S.A.



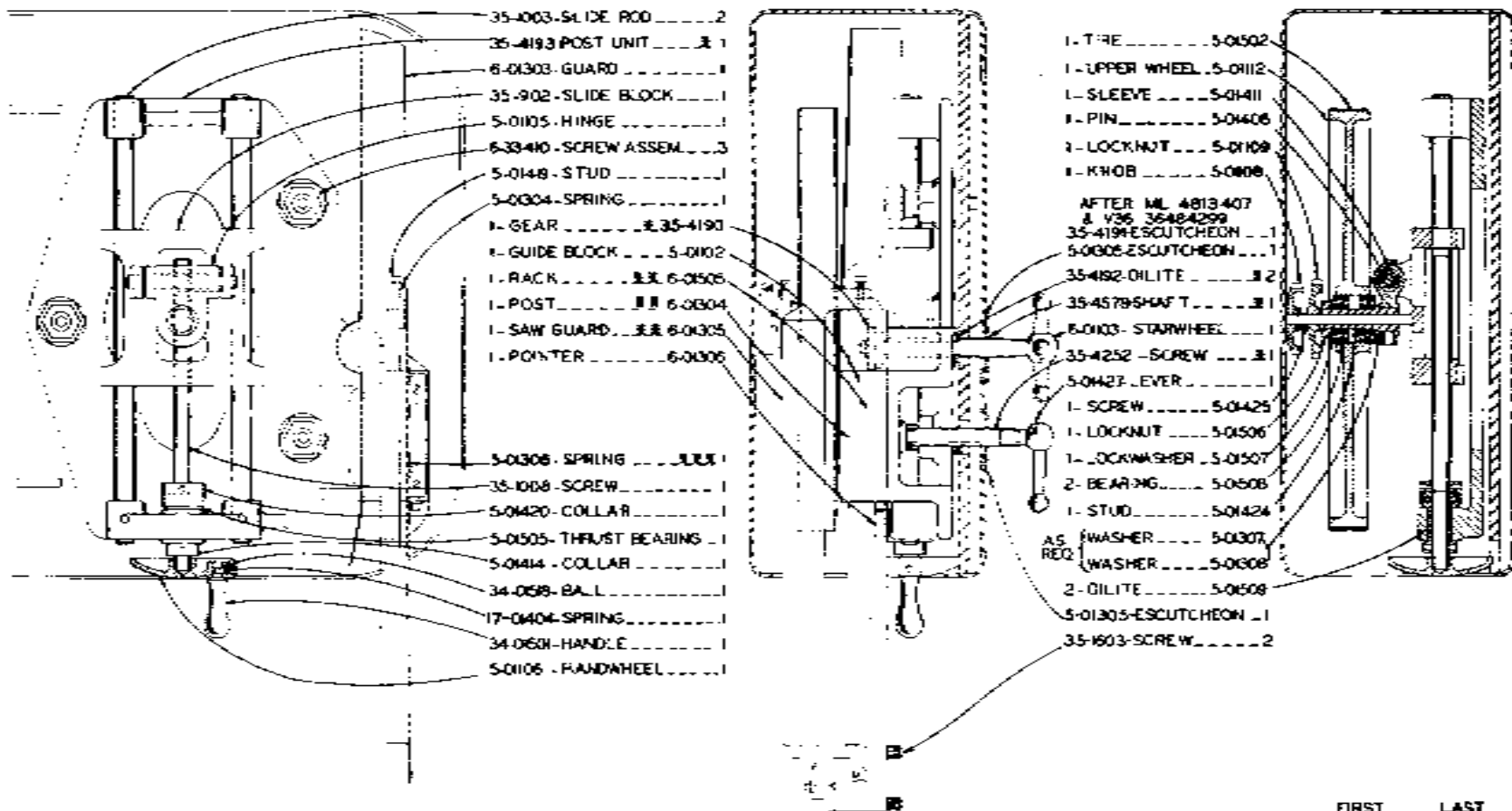
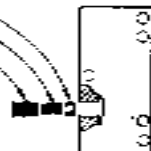
HEAD ASSEMBLY — MODELS ML & V-36 -6-01002

MODEL	FIRST MACH.	LAST MACH.
ML	39730	447769
V-36	3639770	36443239

NOTE: **BEFORE** SERIAL NOS. ML 4813408
 & V36 36484300
 35-4190 GEAR WAS - 6-01506
 35-4192-OILITE WAS - 8-04507
 35-4193-POST UNIT WAS - 35-1210
 35-4252-SCREW WAS - 35-1007
 35-4578-SHAFT WAS - 35-1211

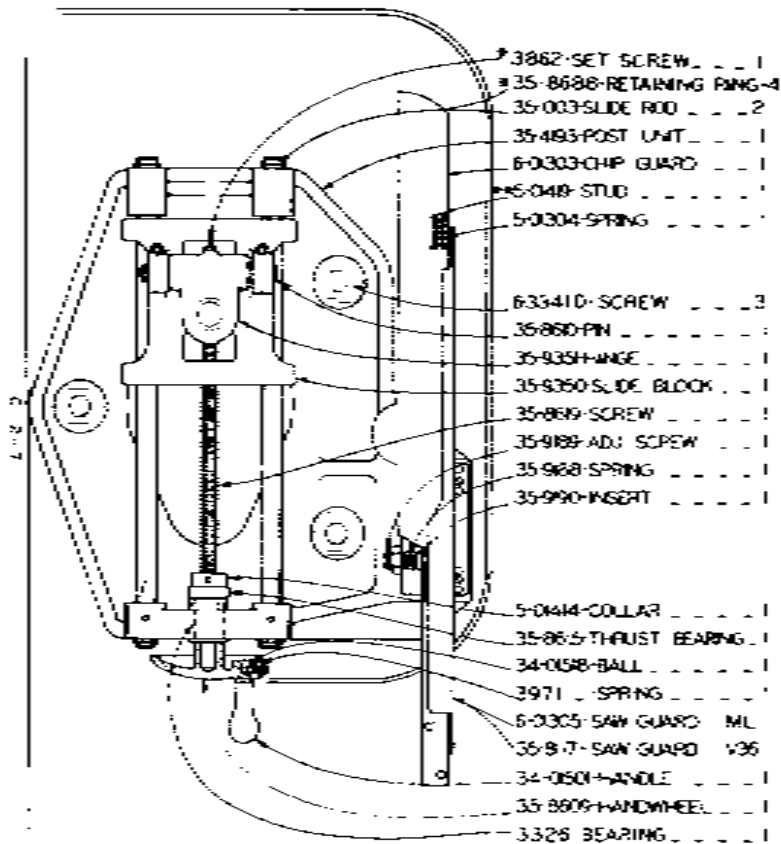
NOTE: **ON** THE V36 ONLY AFTER
 SERIAL NO. 36484300
 RACK - - - - - L3-D4503
 POST - - - - - 35-8118
 SAW GUARD - - - 35-8117

NOTE: **AFTER** SERIAL NOS ML 4913857 &
 V36 36484430
 1- INSERT - 35-9190
 1- SPRING - 35-9188
 1- SCREW - 35-9189



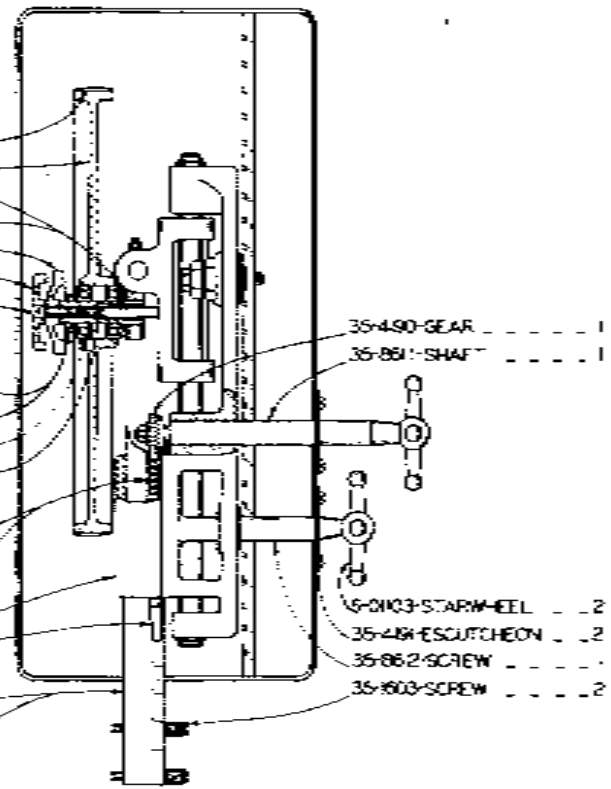
HEAD ASSEMBLY MODELS ML & V36

MODEL	FIRST MACHINE	LAST MACHINE
ML	447770	4813966
V36	36443240	36494430



- 3862-SET SCREW . . . 1
- 35-8688-RETAINING RING-4
- 35-003-SLIDE ROD . . . 2
- 35-493-POST UNIT . . . 1
- 6-0303-CHIP GUARD . . . 1
- 5-0489-STUD . . . 1
- 5-0304-SPRING . . . 1
- 6-33410-SCREW . . . 3
- 35-860-PIN . . . 1
- 35-935H-RING . . . 1
- 35-9350-SLIDE BLOCK . . . 1
- 35-869-SCREW . . . 1
- 35-9189-ADJ. SCREW . . . 1
- 35-968-SPRING . . . 1
- 35-990-INSERT . . . 1
- 5-0444-COLLAR . . . 1
- 35-865-THRUST BEARING . . . 1
- 34-0158-BALL . . . 1
- 3971-SPRING . . . 1
- 6-0305-SAW GUARD ML
- 35-8-7-SAW GUARD V36
- 34-0501-HANDLE . . . 1
- 35-8609-HANDWHEEL . . . 1
- 3-326 BEARING . . . 1

- TIRE 5-06502
- UPPER WHEEL . . . 5-0112
- AS WASHER . . . 5-01307
- REG WASHER . . . 5-01308
- I-LOCKNUT . . . 5-01109
- H-KNOB . . . 5-04108
- I-SCREW . . . 5-04425
- I-LOCKNUT . . . 5-01506
- I-LOCKWASHER . . . 5-01507
- 2-BEARINGS . . . 5-01508
- I-STUD . . . 5-01424
- RACK ML . . . 6-01505
- RACK V36 . . . 13-01503
- I-GUIDE BLOCK . . . 35-862
- POINTER . . . 5-01306
- I-POST ML . . . 6-01304
- I-POST V36 . . . 35-8-16



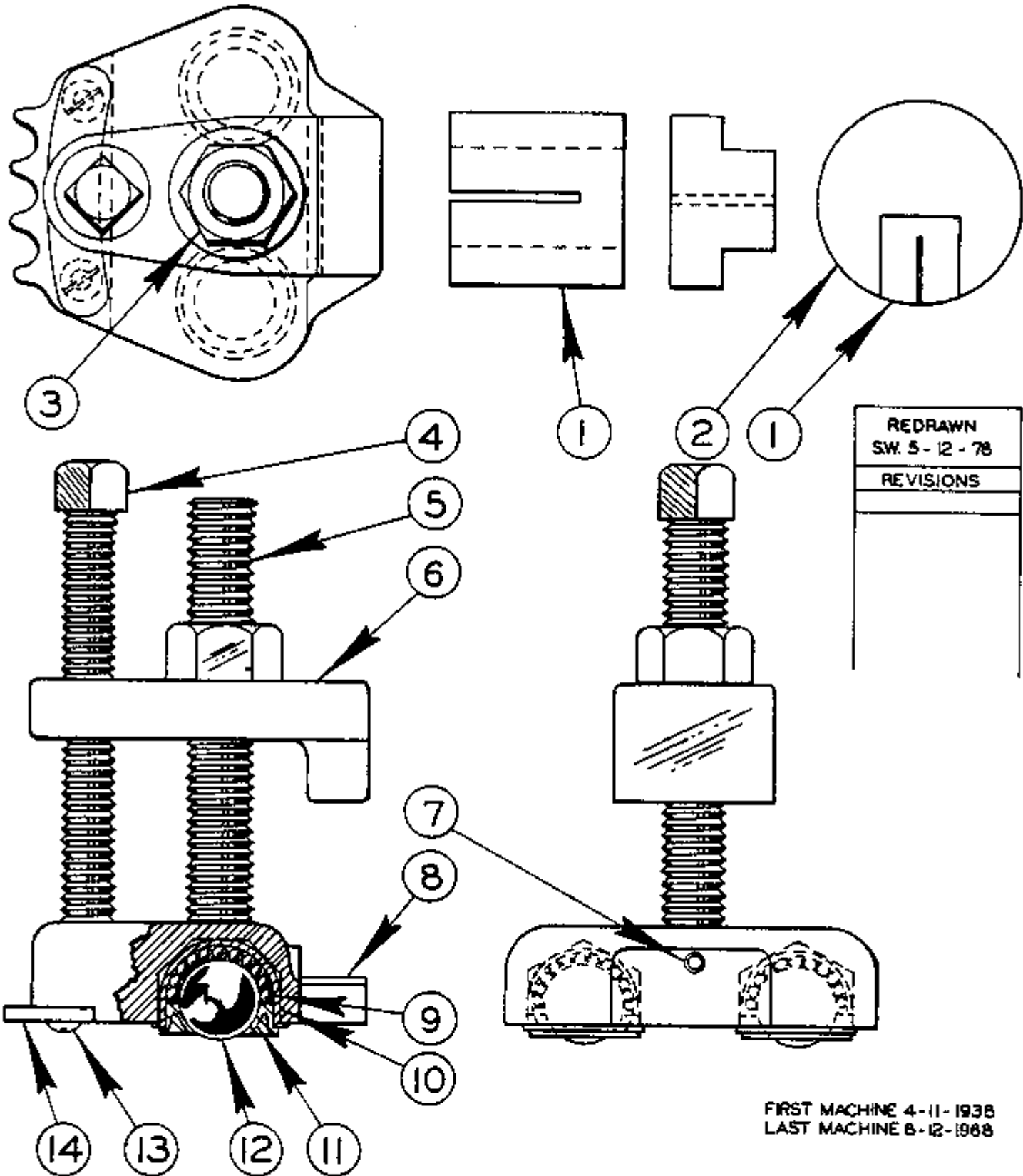
- 35-490-GEAR 1
- 35-861-SHAFT 1
- 6-0103-STARWHEEL . . . 2
- 35-484-ESCUTCHEON . . . 2
- 35-862-SCREW 1
- 35-1603-SCREW 2

NOTE: AFTER ML SER. NO. 3115784 USE 1 1/2" H. V2" H. H. CAP. SCA.
 V36 SER. NO. 3654935

NOTE: WHEN REORDERING PART 35-1253 ALSO ORDER 35-8588

HEAD ASSEMBLY MODELS ML & V36

MODEL	FIRST MACH	LAST MACH
ML	490987	548253
V36	36494431	36535628



REDRAWN SW. 5 - 12 - 78
REVISIONS

FIRST MACHINE 4-11-1938
LAST MACHINE 8-12-1968

HEAVY
PARALLEL WORK CLAMP ASSEMBLY

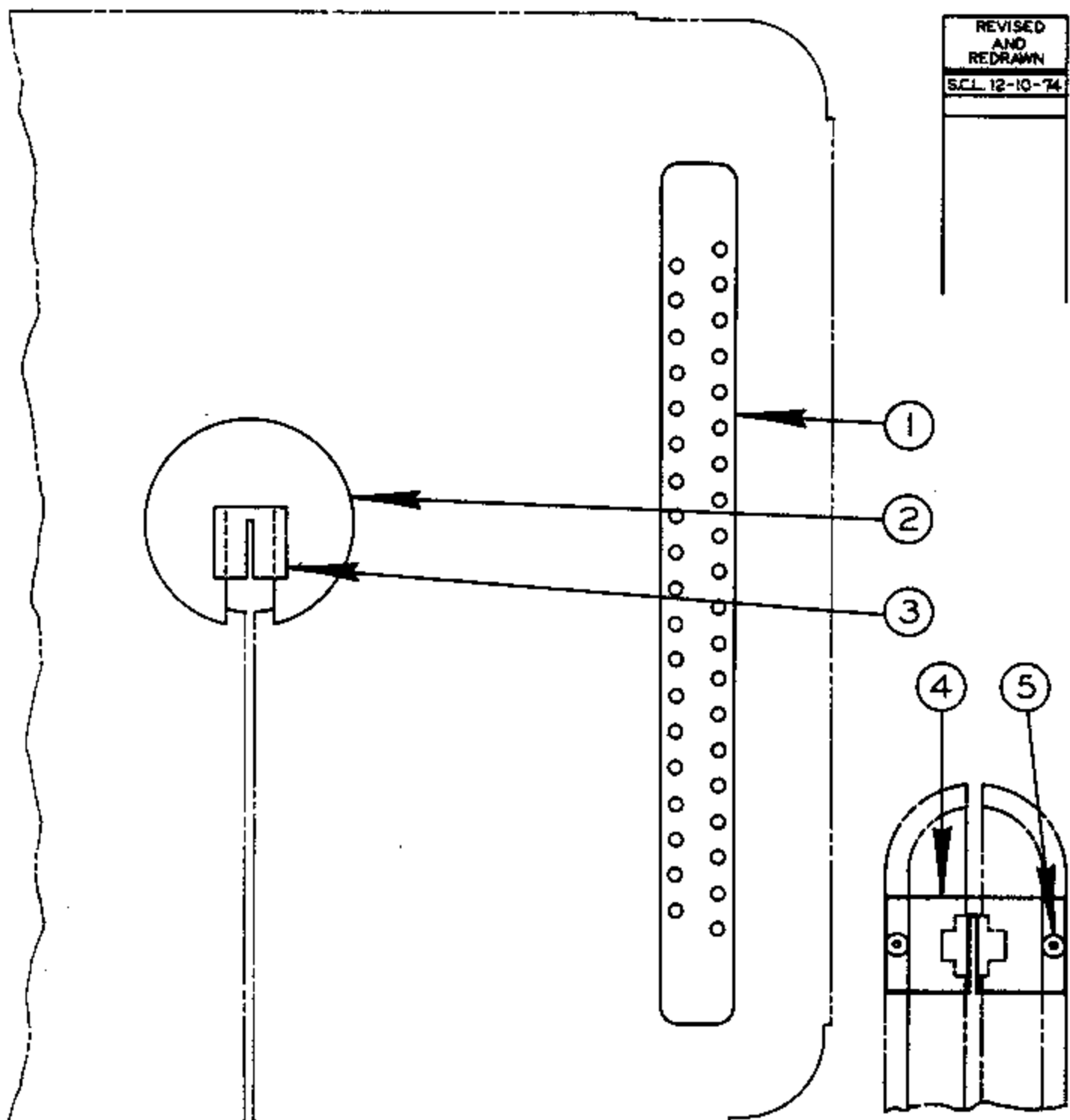
C-10-22 CM-10-B Z-10-11

PRINTED IN U.S.A.

HEAVY
PARALLEL WORK CLAMP ASSEMBLY

INDEX NO.	CATALOG NO.	DESCRIPTION	UNITS PER ASS'Y
Ref.	106-240047	Parallel Work Clamp Assembly	
1	106-244130	. Center Support (1" Slot)	Use
	135-008787	. Center Support (1-1/4" Slot)	One
2	090-279506	. Center Plate (4-1/2" Dia.)	1
Ref.	135-051746	. Parallel Work Clamp Sub-Assembly	4
3	091-991356	. . Nut, Hex, 5/8-11NC	1
4	106-245087	. . Screw, Sq. Hd. Set	1
5	106-244155	. . Clamp Stud	1
6	106-243074	. . Parallel Arm Weldment	1
7	091-984112	. . Screw, Soc. Hd. Set #10-24NC x 3/8.....	1
8	106-241078	. . Clamp Body	1
9	106-245053	. . Ball	130
10	106-243066	. . Ball Cup	2
11	135-037976	. . Ball Retaining Ring	2
12	106-245046	. . Ball	2
13	091-988691	. . Screw, Rd. Hd. Mach. #10-24NC x 1/2	2
14	105-133136	. . Work Holding Jaw Sprocket (1/2" Pitch)	Use
	106-233372	. . Work Holding Jaw Sprocket (3/16" Pitch)	One

REVISED
AND
REDRAWN
SCL 12-10-74



HEAVY WORK SLIDES

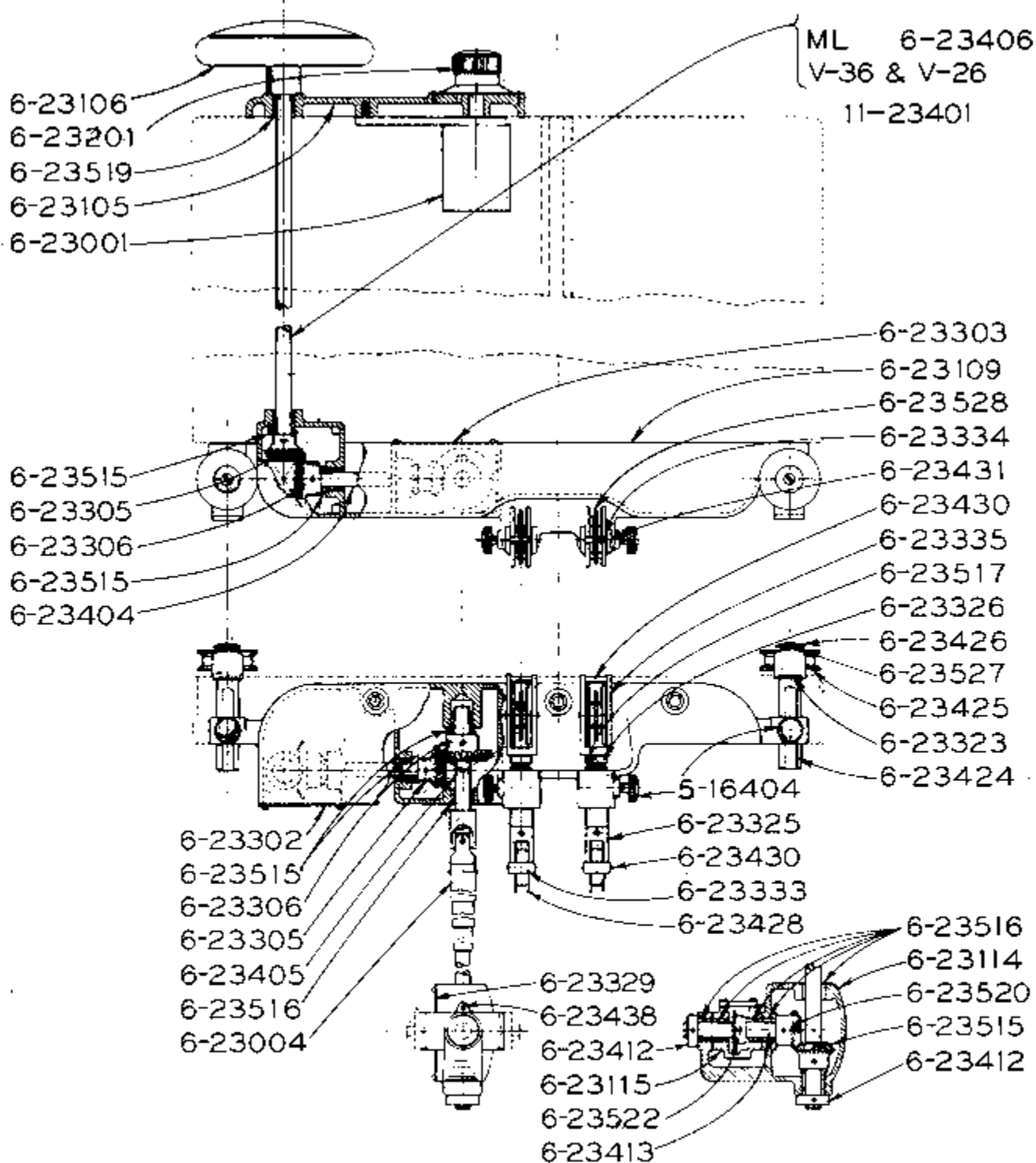
C-10-23 CM-10-33 Z-10-12

C-9

PRINTED IN U.S.A.

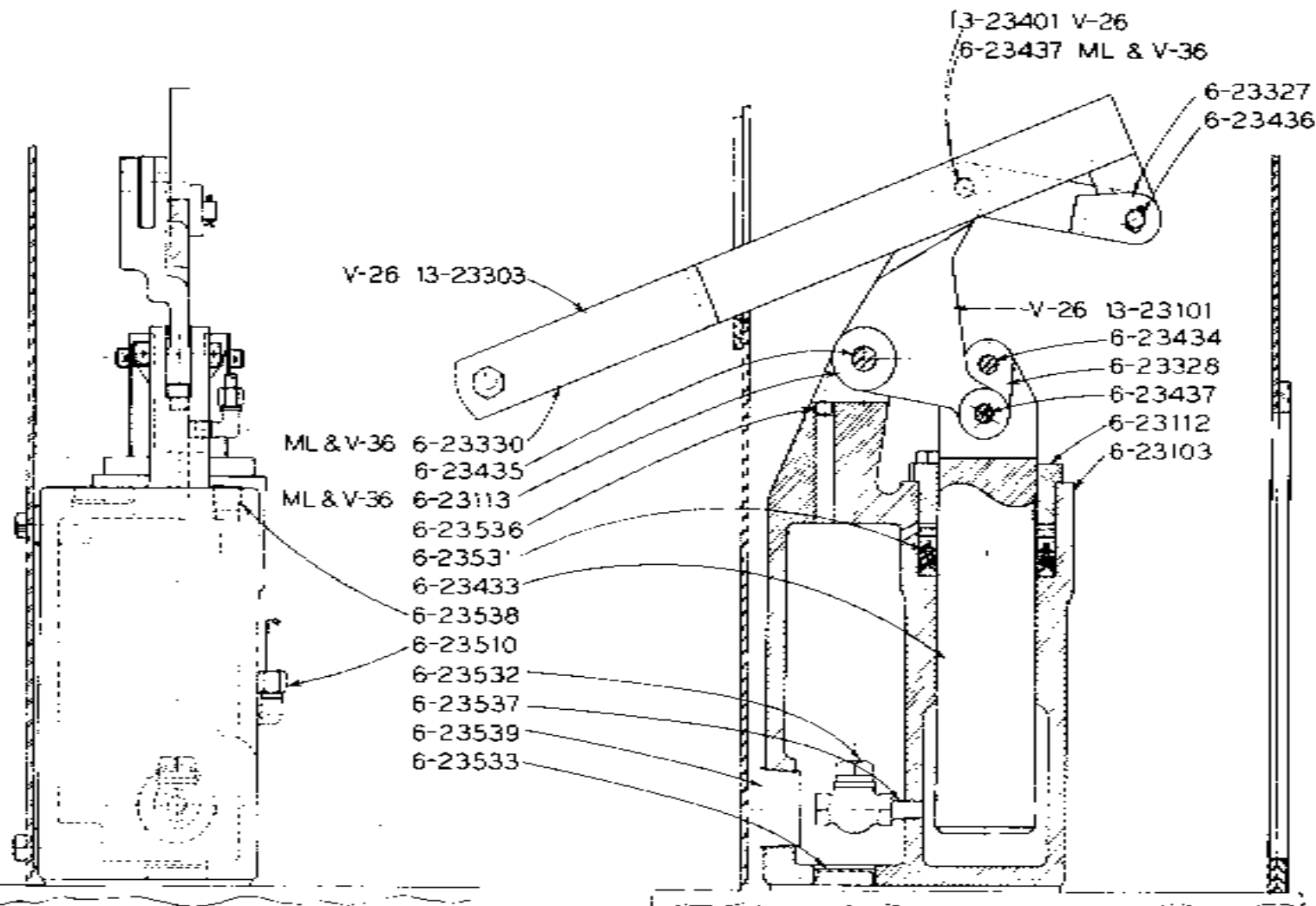
HEAVY WORK SLIDES

INDEX NO.	CATALOG NO.	DESCRIPTION	UNITS PER ASS'Y
Ref.	090-450040	Heavy Work Support Assembly (1612, 1612-0, 1612-1, 2013, 2013-0, 2013-10, 2612-1, 2614-1, 3612, 3612-1, 3613-0, 3613-10, 3613-1, 2013-1)	
Ref.	135-052470	Heavy Work Support Assembly (1613-2, 2613-2, 3613-2, 6013-2, ZS-3620, ZV-3620, ZW-3620)	
Ref.	094-006921	Heavy Work Slide Assembly (2612-2H)	
1	106-233190	. Work Transport Bar	2
2	090-279506	. Center Plate (Assembly #090-450040 Only)	1
3	106-234529	. Center Support (Assemblies #090-450040 & 135-052470)	1
4	091-178145	. Center Support (Assembly #094-006921 Only)	1
5	091-983205	. Screw, Fl Hd. Soc. Cap 1/4-20NC x 3/4 (Assembly #094-006921 Only)	2



HYDRAULIC CONTOUR POWER FEED ARRANGEMENT CONTROLS

MODEL	FIRST MACH	LAST MACH
ML	40889	436686
V26	264072	26431077
V36	3640225	36432778



HYDRAULIC CYLINDER ASSEMBLY

MODEL	FIRST MARCH	LAST MARCH
ML	43889	436686
V26	264072	26431011
V36	3640225	36432778

** NOTE
 STARRED ITEMS ARE
 INCLUDED IN CYLINDER
 ASSEMBLY... 35-799

- 2- SCREW _____ 34-17401
- 2- ROLLER ASSEM _____ 35-671
- 1- ROLLER BAR _____ 35-794
- 1- BRACKET _____ 35-798
- **1- GLAND _____ 35-464
- **1- PACKING _____ 35-462
- AS
REQ SHIM _____ 35-298
- **1- FRONT CAP _____ 35-322
- **2- SNAP RING _____ 35-466
- **1- PISTON ROD _____ 35-797
- **1- PISTON BODY _____ 35-458
- **2- PISTON CUP _____ 35-460
- **1- REAR CAP _____ 35-477
- **1- CYLINDER _____ 35-796
- **1- STOP COLLAR _____ 35-459
- **2- COLLAR _____ 35-465
- **2- GASKET _____ 35-463
- 4- UNION _____ 35-319
- 35-497-CLAMP _____ 1

- 1- SPRING _____ 35-635
- 1- GASKET _____ 35-824
- 1- O-RING _____ 35-9176
- 35-828-SELECTOR PLATE 1

- 1- CHAIN ASSY _____ 35-503
- 35-318-ELBOW _____ 6
- 35-673-RETAINER _____ 1
- 35-672-SPROCKET _____ 1
- 35-499-GEAR SHAFT _____ 1
- 6-23306-GEAR _____ 2
- 6-23305-GEAR _____ 2
- 6-23521-BUSHING _____ 3
- 35-837-MANIFOLD _____ 1
- 35-478-SHAFT _____ 1
- 35-323-SHAFT _____ 1
- *35-321-HYD HOSE _____ 2
- *35-838-MANIFOLD _____ 1

- 4070-BUSHING _____ 2
- 35-820-VALVE ASSEM _____ 1
- 6-23519-BUSHING _____ 1
- 35-827-INDICATOR PLATE 1
- 35-822-HANDLE _____ 1
- 35-667-HANDWHEEL _____ 1
- 35-829-CONTROL PANEL 1

NOTE:
 TO ORDER COMPLETE
 UNIT INCLUDING HYD.
 TANK ASSY. ORDER
 ML _____ 50672
 Z-16 _____ 50705

* NOTE: AFTER 2-28-52 MACHINES
 NOT USING 35-838 FRAME MANIFOLD...
 USE 5646 HOSE

FIRST UNIT: 2-12-44
 LAST UNIT: 9-30-54

MODELS ML & Z16
 HYDRAULIC CONTOUR FEED - 24" TABLE - 35-5212

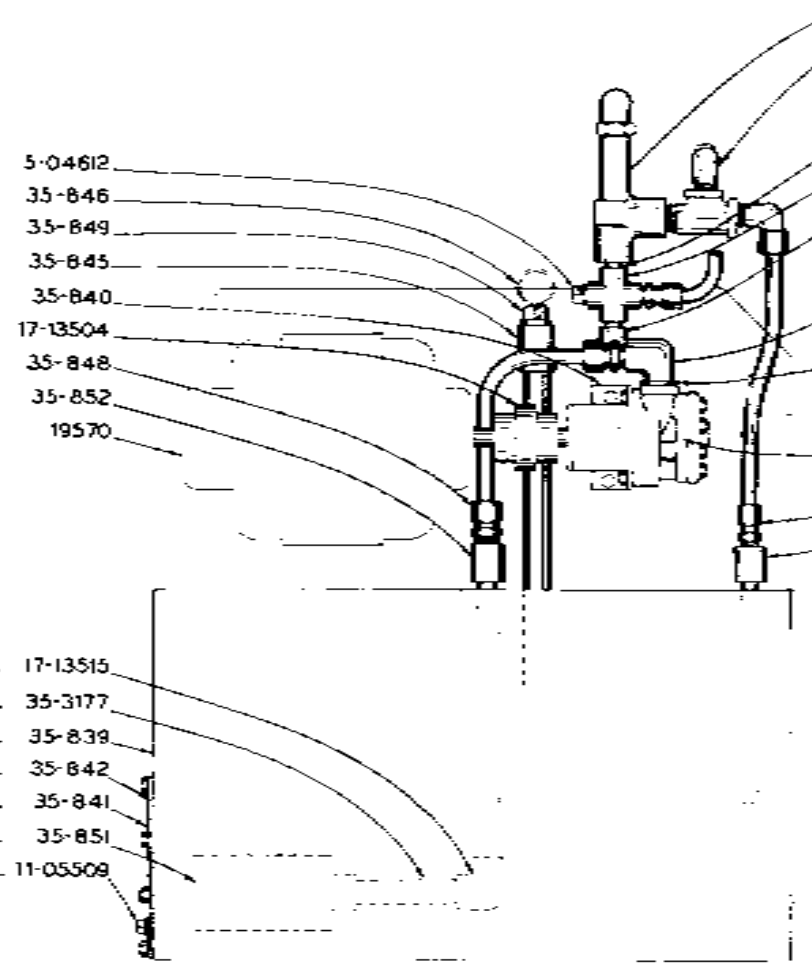
- 1-1/4 P PLUG - - - - - 5-04612
- 1-DIPSTICK - - - - - 35-846
- 1-PLUG - - - - - 35-849
- 1-1/2 P COUPLING - - - - - 35-845
- 1-BRACKET - - - - - 35-840
- 1-COUPLING - - - - - 17-13504
- 2-3/8 P X 1/2 T UNION - - - - - 35-848
- 1-3/8 P COUPLING - - - - - 35-852
- 1-1/3 HP MOTOR - - - - - 19570

- 1-3/8 P ELBOW - - - - - 17-13515
- 1-3/8 X 4-1/2 P NIPPLE - - - - - 35-3177
- 1-TANK - - - - - 35-839
- 1-GASKET - - - - - 35-842
- 1-PLATE - - - - - 35-841
- 1-OIL FILTER - - - - - 35-851
- 1-1/8 P PLUG - - - - - 11-05509

- 17-13505-RELIEF VALVE - - - - - 1
- 35-318-1/4 P X 3/8 T ELBOW - - - - - 3
- ALTERNATE-35-847-1/4 P SERVICE TEE
35-317-1/4 P X 3/8 T TEE
- 17-13512-1/4 P CLOSE NIPPLE - - - - - 2
- 35-850-1/4 P CROSS - - - - - 1
- 35-519-1/4 P STANDARD ELBOW - - - - - 1
- 35-2344-1/4 X 2 P NIPPLE - - - - - 1
- 17-13521-1/4 P STREET ELBOW - - - - - 1
- 5-11513 3/8 P STREET ELBOW - - - - - 1
- 35-300-1/2 TO 3/8 P BUSHING
- 35-296-1/2 TO 1/4 P BUSHING
- 5-11517-3/8 TO 1/4 P BUSHING
- 35-341-HYDRAULIC PUMP BOOPER - - - - - 1
- 4102-HYDRAULIC PUMP BUTHELL - - - - - 1
- GIVE MAKE OF PUMP WHEN ORDERING
- 35-319-1/4 P X 3/8 T UNION - - - - - 2
- 35-308-1/4 P COUPLING - - - - - 1

35-8-75

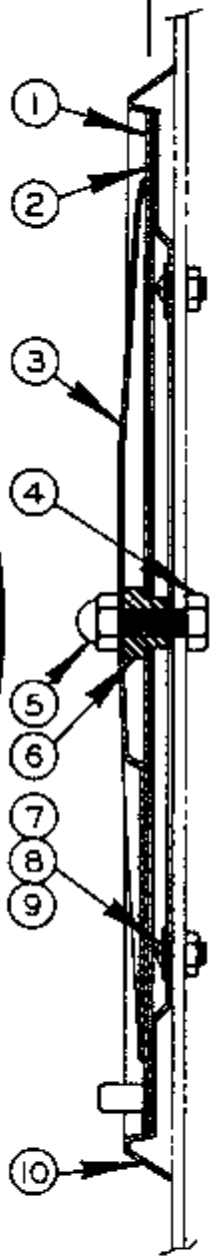
MANUFACTURED IN U.S.A.



NOTE: IF PIPING IS DIFFERENT FROM
DRAWING, GIVE SIZE & DESCRIPTION
OF FITTINGS WHEN ORDERING.

MODELS ML, V26, V36, V60, Z16, Z26, Z36-16, Z60
HYDRAULIC TANK ASSEMBLY-35-5204

FIRST UNIT-0-15-43
LAST UNIT-8-14-52



JOB SELECTOR ASSEMBLY

C-8-104 CM-B-53 Z-6-54

PRINTED IN U.S.A.

JOB SELECTOR

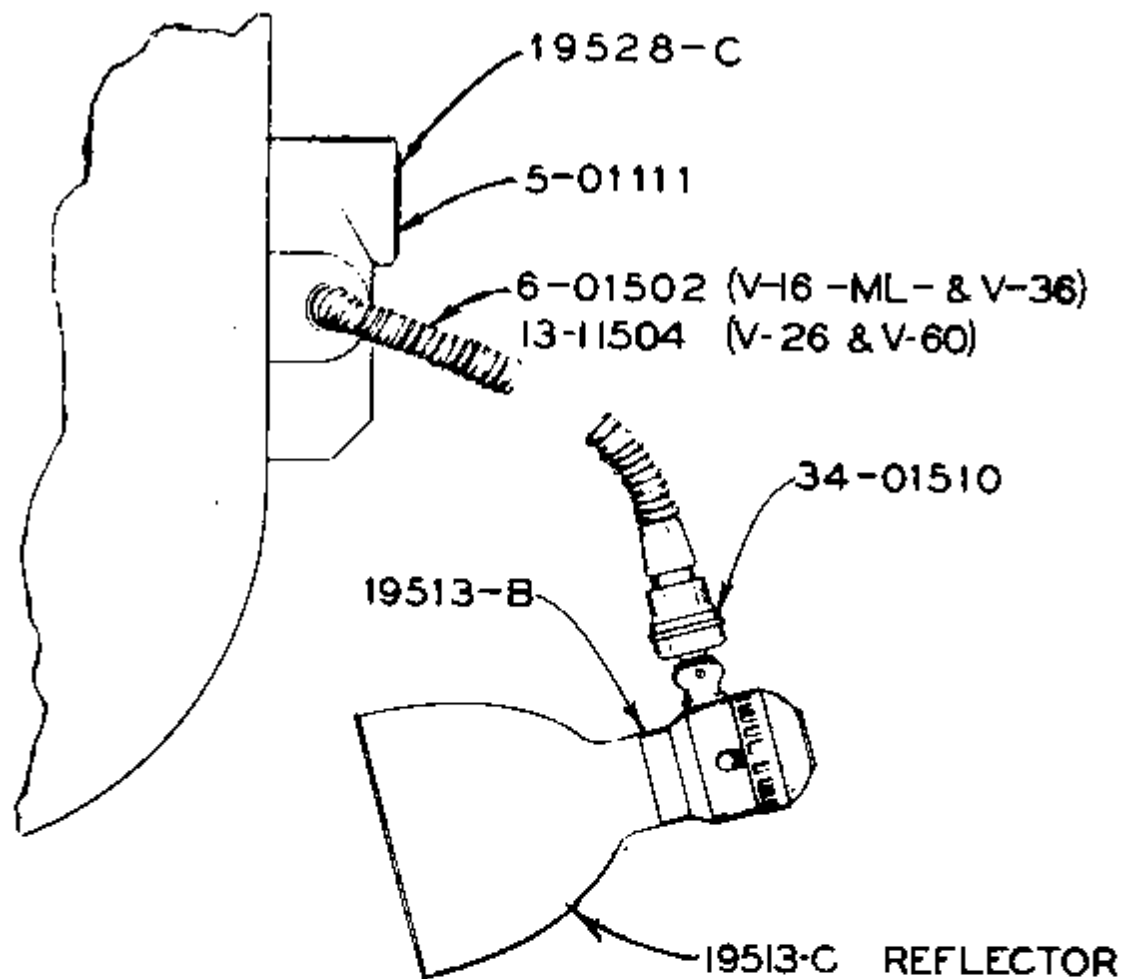
INDEX NO.	CATALOG NO.	DESCRIPTION	UNITS PER ASS'Y
Ref.	090-468174	Job Selector (1612-U, 3012-U, 1611-H, 2612-1H, 2013, 2013-0, 2012-A, 2012-AT, 1612-0, 3613-0, 1612, 3612, 2013-1, 2013-10, 2012-1A, 2012-1AT, 3612-1H, 3612-1, 3613-10)	
*Ref.	090-435603	Job Selector (1612-1, 3613-1, 2612-1, 2613-2, 6013-2, 2618-4, HS-6013, ZW-3620, ZV-3620, ZS-3620)	
1	090-220781	. Job Selector Dial	1
2	106-143043	. Outer Edge Felt	4
3	094-008380	. Job Selector Plate	1
4	091-990283	. Screw, Truss Hd. Mach. 5/16-18NC x 3/4	1
	*091-980276	. Screw, Hex. Hd. Cap 5/16-18NC x 3/4	1
5	090-044496	. Acorn Nut 5/16-18NC	1
6	106-144017	. Bushing	Use
	*090-027012	. Bushing	One
*7	091-988907	. Screw, Rd. Hd. Mach. 1/4-20NC x 1/4	4
*8	091-993741	. Washer, Lock Shakeproof 1/4 Internal	4
*9	091-991141	. Nut, Hex. Jam 1/4-20NC	4
*10	090-426727	. Job Selector Frame	1

NOTE: Job Selectors #090-468174 & #090-435603, First Used 9/17/62. Before This Date #094-008380 Plate and #090-220781 Dial, Must Be Replaced Together As A Unit.

*NOTE: Starred Items Used Only On Assembly #090-435603.

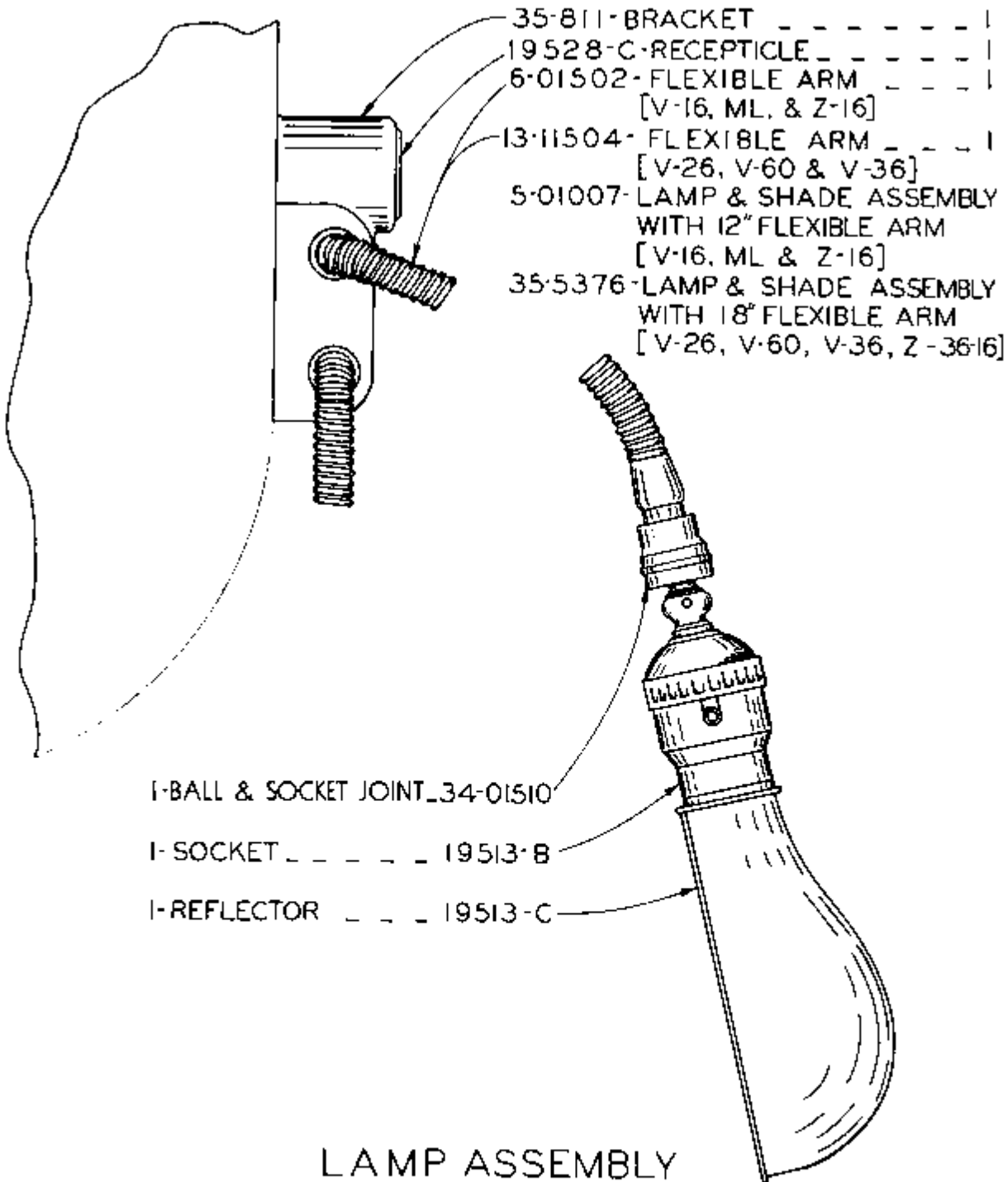
*NOTE: Last Used On Models:

MODEL	LAST MACH.
1613-2	150-69593
3613-2	151-69515
1612-3	152-691017
2613-3	198-69361
3612-3	153-691054
6013-3	199-70125
1612-H	288-69204
2612-H	284-69135
2612-2H	206-69308
3612-H	272-69152



	First Machine	Last Machine
ML & V-16	3801	447198
V-36	363901	36443009
V-26	263951	26441211
V-60	604050	604498

LAMP ASSEMBLY-5-01007



- 35-811-BRACKET _ _ _ _ _ 1
- 19528-C-RECEPTICLE _ _ _ _ _ 1
- 6-01502-FLEXIBLE ARM _ _ _ _ _ 1
[V-16, ML, & Z-16]
- 13-11504-FLEXIBLE ARM _ _ _ _ _ 1
[V-26, V-60 & V-36]
- 5-01007-LAMP & SHADE ASSEMBLY
WITH 12" FLEXIBLE ARM
[V-16, ML & Z-16]
- 35-5376-LAMP & SHADE ASSEMBLY
WITH 18" FLEXIBLE ARM
[V-26, V-60, V-36, Z-36-16]

- I-BALL & SOCKET JOINT_34-01510
- I-SOCKET _ _ _ _ _ 19513-B
- I-REFLECTOR _ _ _ 19513-C

LAMP ASSEMBLY

MODEL	FIRST MACHINE	LAST MACHINE
ML, & V-16	4 47 199	5115574
V-26	26441212	26512425
V-36	36443010	36514876
V-60	604499	6051125
Z-16	4505116	5116337
Z-36-16	4 736051	5136118

1-LAMP CORD ASSY..21514
FOR MP-20 --- 21242

1-CONNECTOR -- 19514C

1-LIGHT CORD -- 19557

1-BUSHING -- 4512

1-SOCKET -- 19513-B

1-LAMP BULB -- 1878

1-LAMP SHADE -- 20000

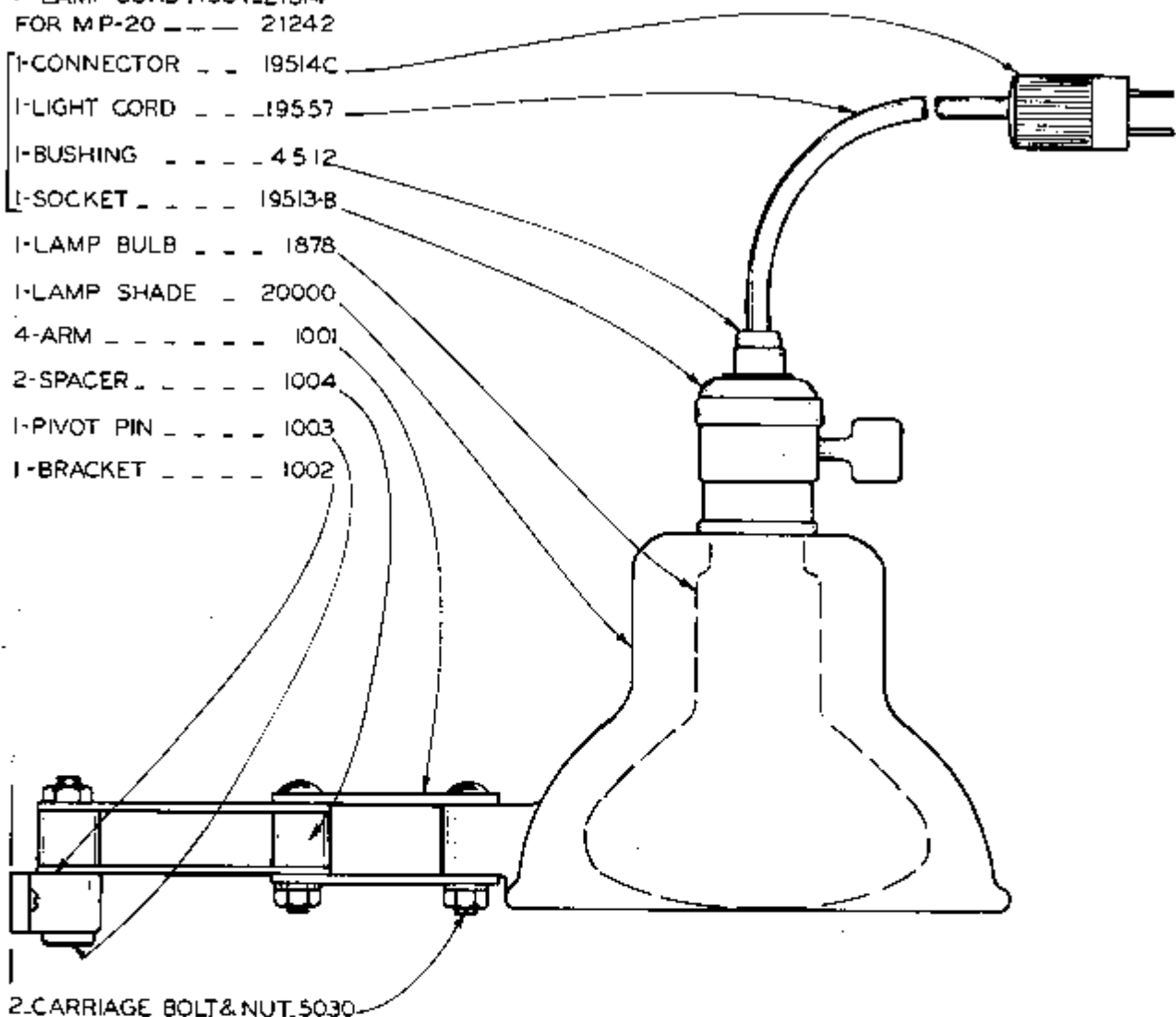
4-ARM --- 1001

2-SPACER -- 1004

1-PIVOT PIN -- 1003

1-BRACKET --- 1002

2-CARRIAGE BOLT & NUT. 5030



LAMP ASSEMBLY

MODEL	FIRST MACH.	LAST MACH.
V-36-3	37-51101	37-53204
V-60	60-51126	60-52142
V-18	18-51823	48-599
ML	5115575	5418353
V-36	36-514877	36-53626
V-25	25-512426	25-52923
Z-18	5118338	5318402
Z-36-18	5138119	5336145
Z-60	60-6351	60-69053
MP-20	32-49101	32-53786

C-8-2

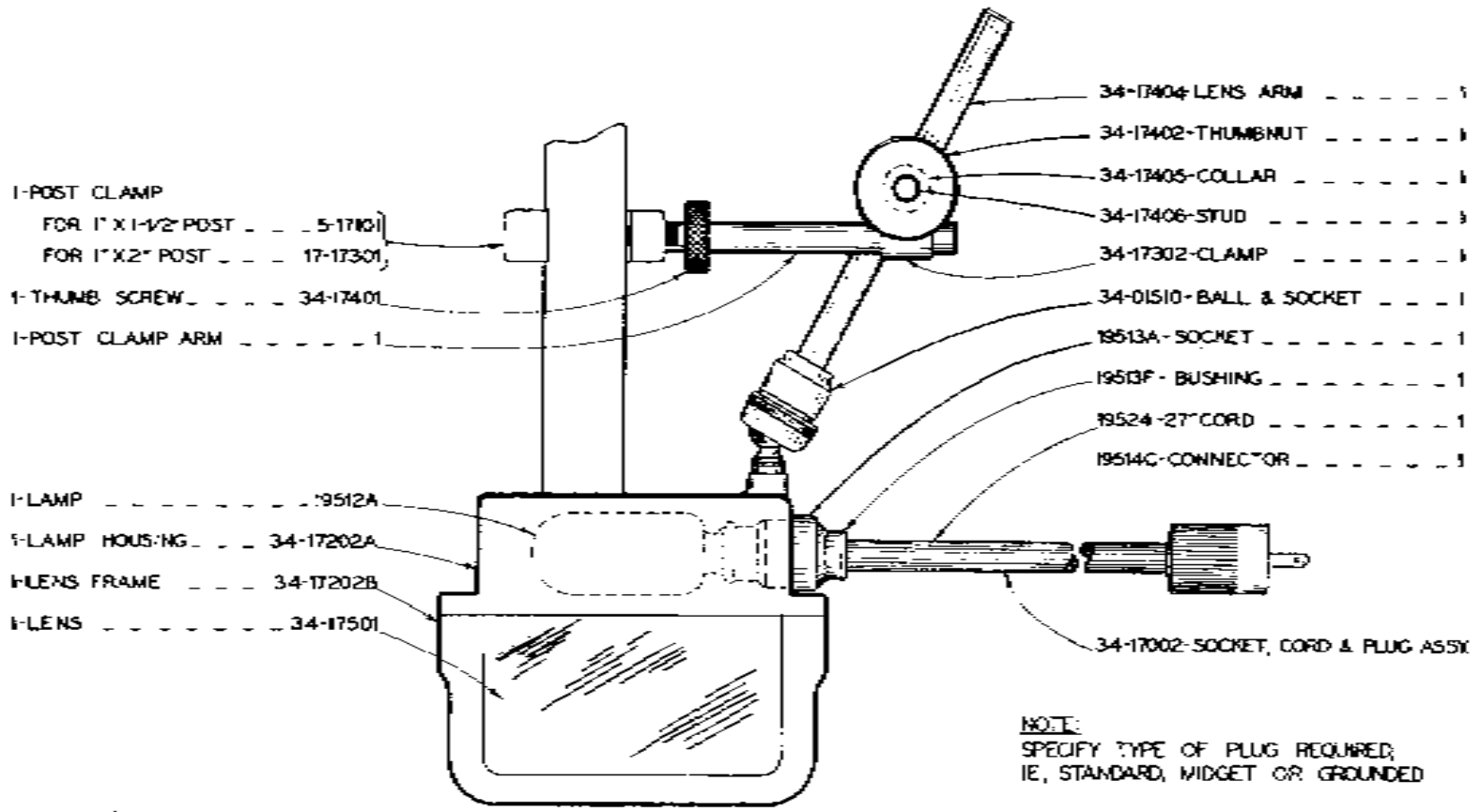
CM-8-26

Z-7-3

PRINTED IN U.S.A.

D-9

C-110-14

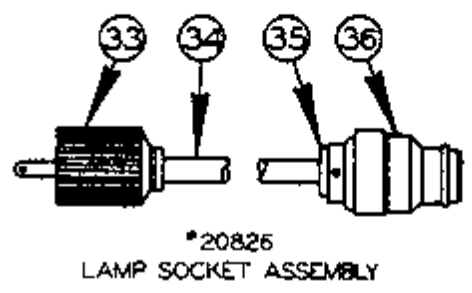
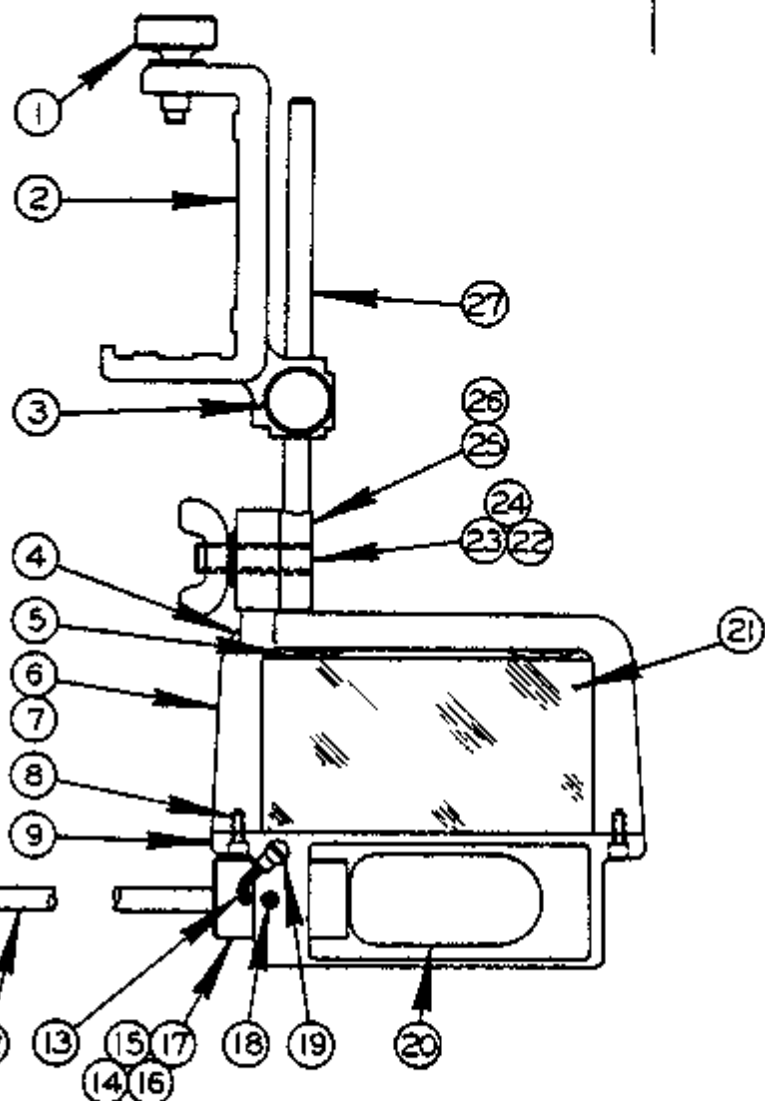
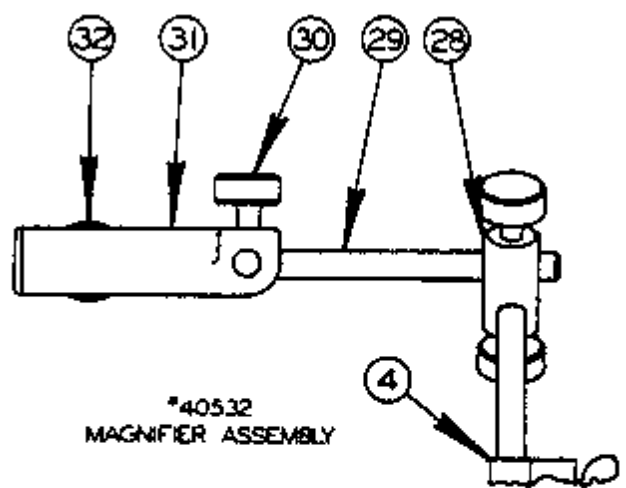


NOTE:
 SPECIFY TYPE OF PLUG REQUIRED,
 IE, STANDARD, MIDGET OR GROUNDED

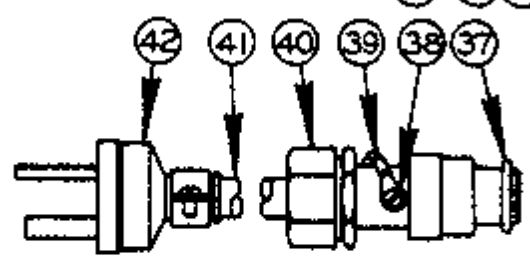
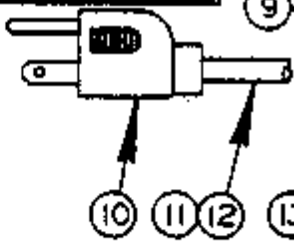
MODELS ML, V16, V26, V36, V60
 MAGNIFIER ATTACHMENT

FIRST UNIT 4-1-1938
 LAST UNIT 7-1-1943

PRINTED IN U.S.A.



ZEPHYRS ONLY



MAGNIFIER ATTACHMENT
ASSEMBLY

MAGNIFIER ATTACHMENT ASSEMBLY

INDEX NO.	CATALOG NO.	DESCRIPTION	UNITS PER ASSY
Ref.	135-005551	Magnifier Attachment Assembly(1612, 1612-0, 1612-H, 1612-1, 1613-2, 1612-3, 2012-A, 2012-AT, 2013, 2013-0, 2012-1A, 2012-1AT, 2013-1, 2013-10, 2612-H, 2612-1, 3612, 3613-0, 3612-H, 3613-1, 3613-2, 3612-3, 2614-1, 2012-1H, 2012-2H, 2012-1H3, 2012-2H3, 3612-1H3, 3612-2H3)	
Ref.	090-428723	Magnifier Attachment Assembly(2613-2, 2613-3, 6013-2, 6013-3, 6013-H3, 2612-1H3)	
Ref.	090-477670	Magnifier Attachment Assembly(2618-4)	
Ref.	090-405325	Magnifier Attachment Assembly(ZS-3620, ZV-3620, ZW-3620)	
1	134-174010	Thumbnut(As'sys #135-005551, #090-428723, #090-477670)	1
	091-982421	Screw, Soc. Hd. Mach. 1/4-20NC x 1	2
2	093-001899	Post Clamp(Assembly #135-005551)(1-1/2" Post)	Use
	090-243932	Post Clamp(Assembly #090-428723)(2-3/4" Post)	
	090-477639	Post Clamp(Assembly #090-477670)(3-1/4" Post)	
	094-000734	Post Clamp(Assembly #090-477670)(Extra Work Height)	One
3	135-005544	Thumb Nut	1
4	090-451055	Magnifier Sub-Assembly (Assembly #135-005551, #090-428723)	Use
	090-477688	Magnifier Sub-Assembly (Assembly #090-477670)	
	090-412529	Magnifier Sub-Assembly (Assembly #090-405325)	One
5	135-021046	Lens Spring	2
6	135-052694	Magnifier Housing Sub-Assembly	1
7	135-005528	Frame	1
8	091-986901	Screw, Fil. Hd. Mach. #6-32NC x 3/8	2
9	135-005536	Housing	1
10	093-021681	Lamp Socket Assembly (Assembly #090-451055 Only)	1
11	091-305383	Electrical Cord	1
12	091-038372	Wire Terminal	2
13	091-038349	Wire Terminal	1
14	091-035360	Socket Bushing	1
15	091-338848	Socket 75-W, 125-V	1
16	091-305375	Strain Relief	1
17	091-984062	Screw, Soc. Set #8-32NC x 1/4	1
18	091-984104	Screw, Soc. Set #10-24NC x 1/4	1
19	091-988519	Screw, Rd. Hd. Mach. #8-32NC x 1/4	1
20	091-338749	Lamp (Assembly #090-451055, #090-412529)	Use
	090-195124	Lamp (Assembly #090-477688)	One
21	134-175017	Magnifying Lens	1
22	135-005593	Pivot Stud	1
23	091-992628	Washer 5/16" SAE Std.	1
24	135-005627	Wing Nut	1
25	135-005601	Post Arm Swivel Sub-Assembly (Assembly #090-451055)	Use
	091-070290	Arm Assembly (Assembly #090-477688)	
	135-008761	Post Arm Swivel Sub-Assembly(Assembly #090-477688, 36" Zephyrs)	
	090-183757	Post Arm Swivel Sub-Assembly(Assembly #090-412529)	One
26	135-005585	Swivel (Assembly #135-005601, #091-070290)	Use
	135-008720	Swivel (Assembly #135-008761, #090-183757)	One
27	135-005569	Arm (Assembly #135-005601)	Use
	091-070243	Arm (Assembly #091-070290)	
	135-008712	Arm (Assembly #135-008761)	
	091-363440	Rod (Assembly #090-183757)	One
Ref.	090-405325	Magnifier Attachment Assembly(ZS-3620, ZV-3620, ZW-3620)	
28	090-031089	Joint	1
29	090-031071	Arm	1
30	135-005544	Thumb Nut	3
31	090-229030	Post Clamp	1
32	134-174010	Thumb Nut	1
Ref.	090-208245	Lamp Socket Assembly (Zephyrs)	1
33	091-353946	Midget Card Connector	1
34	090-007923	Rubber Card	A.R.
35	091-353888	Bushing	2
36	091-353912	Socket	1
Ref.	090-179870	Lamp Socket Assembly (2618-4 L.A. Machines)	1
Ref.	091-070268	Lamp Socket Assembly (2618-4)	1
37	090-183476	Socket	1
38	091-988519	Screw, Rd. Hd. Mach. #8-32NC x 1/4	1
39	091-038349	Wire Terminal	1
40	090-183468	Card Grip Connector	1
41	090-007956	Rubber Card	A.R.
42	090-162132	Plug U-Ground	1

NOTE 1 BEFORE 6-3-40 ON MACHINES WITH LINK CHAIN, REPLACE CHAIN 5-13506 OR 6-13501 & FITTINGS 5-13507 & 5-13508 AT THE SAME TIME
 2 BEFORE 4-3-42 W-EN LEVER 5-13315 WAS CAST IRON. REPLACE 5-13315 WITH 5-13111 & 5-13113 WITH 34-13111
 3 WHEN REPLACING BRACKET 35-6397, ORDER 2 SCREWS 35-6398 & 2 STUDS 35-6399

2-WHEEL ----- 34-13106
 2-STUD ----- 34-13404
 4-CAP ----- 34-13301

2-STUD ----- 34-13405
 2-NUT ----- 34-13418
 1-CORD ----- 5-13509
 1-CAP ----- 34-13311
 1-AXIS ----- 34-13406
 1-CLEVIS ----- 5-13106
 1-PIN ----- 5-13402
 1-BEAM ----- 5-13302
 1-AXIS ----- 34-13406
 1-PIN ----- 5-13411
 1-HINGE ----- 5-13103
 1-BEAM ----- 5-13301
 1-BRACKET ----- 5-13102
 1-CHAIN ----- 5-13510
 1-PIN ----- 5-13413
 1-ANCHOR ----- 5-13314
 1-LEVER ----- 5-13315
 1-ANCHOR ----- 5-13316
 1-PIN ----- 5-13416
 1-WASHER ----- 5-13317

5-13508-HOOK END 1*

5-13507-EYE END ----- 1

CHAIN
 ML & V36 6-13501
 V16 5-13506

35-6397-BRACKET ----- 1

34-13504-BEARING ----- 5

13-13401-ROLLER & PIN ----- 1

5-13112-WEIGHT ----- 1

5-13105-BRACKET ----- 1

5-13401-SCREW ----- 1

5-13408-SHAFT ----- 1

34-13508-BALL ----- 1

34-05103-HANDWHEEL ----- 1

34-05524-UN. JOINT ----- 1

5-13103-HINGE ----- 1

34-05410-COLLAR ----- 2

5-13102-BRACKET ----- 1

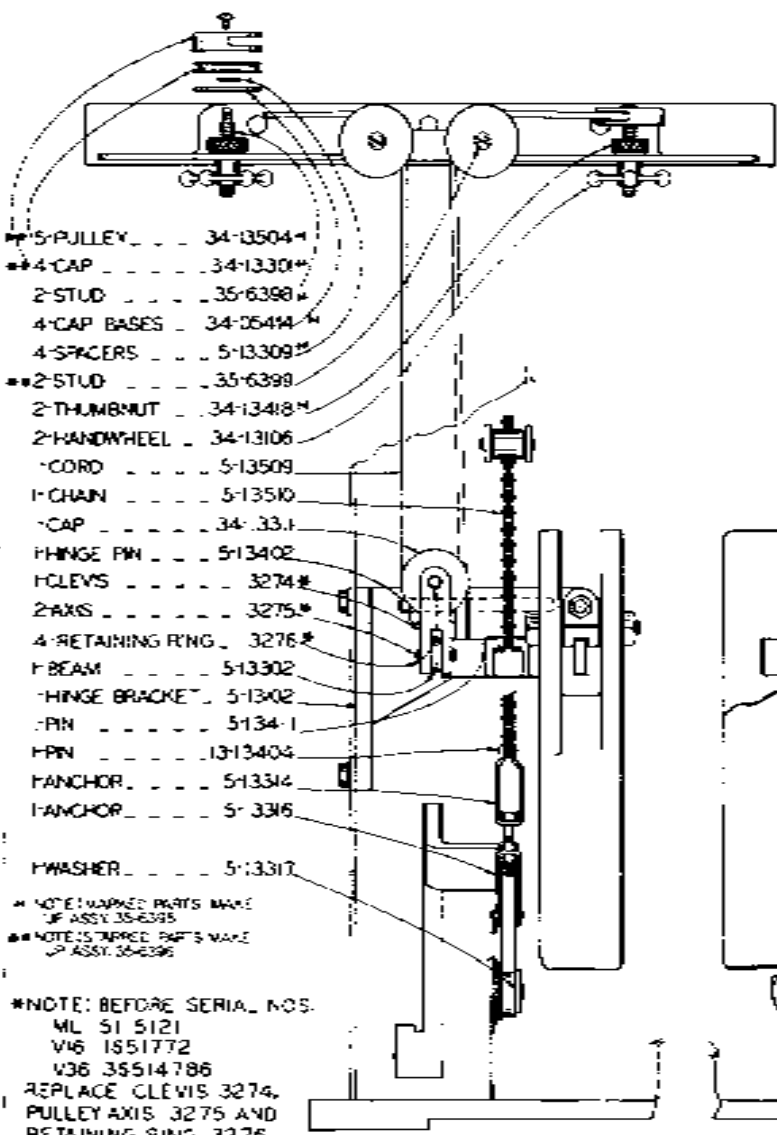
5-13113-PEDAL MOUNT ----- 1

5-13410-NUT ----- 4

POWER FEED ASSEMBLY—MODELS V16, ML, & V36—5-13006

MODEL	FIRST MACH	LAST MACH
ML	3801	483605
V16	3801	1648485
V36	363949	36484345

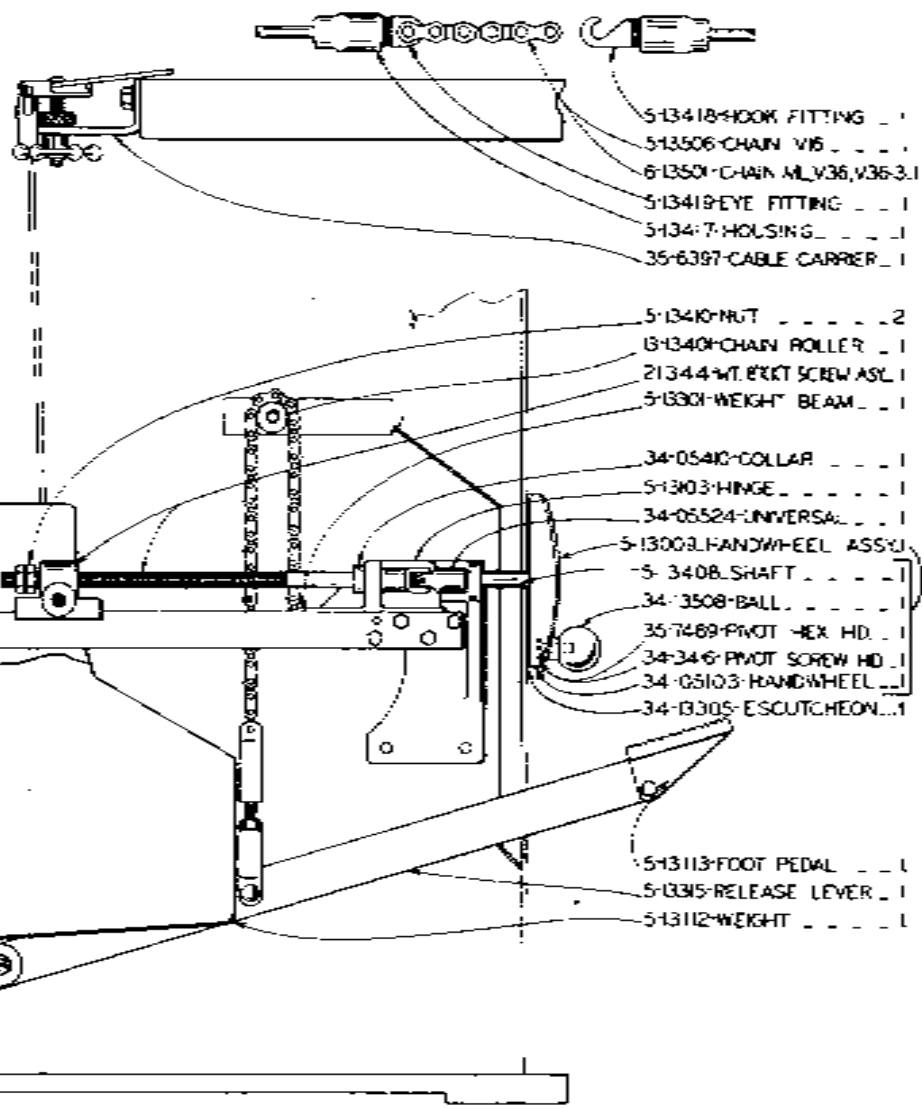
C-9-Z-2 Z-B-1A



- 5-PULLEY . . . 34-13504*
- 4-CAP . . . 34-1330**
- 2-STUD . . . 35-6398*
- 4-CAP BASES . . . 34-0544*
- 4-SPACERS . . . 5-13309**
- 2-STUD . . . 35-6399
- 2-THUMB NUT . . . 34-13418**
- 2-HANDWHEEL . . . 34-13106
- CORD . . . 5-13509
- CHAIN . . . 5-13510
- CAP . . . 34-1331
- HINGE PIN . . . 5-13402
- CLEVIS . . . 3274*
- 2-AXIS . . . 3275*
- 4-RETAINING RING . . . 3276*
- BEAM . . . 5-13302
- HINGE BRACKET . . . 5-13402
- PIN . . . 5-134-1
- HPIN . . . 13-13404
- HANCHOR . . . 5-13314
- HANCHOR . . . 5-3316
- WASHER . . . 5-13317

* NOTE: MARKED PARTS MAKE UP ASSY 35-6395
 ** NOTE: MARKED PARTS MAKE UP ASSY 35-6396

*NOTE: BEFORE SERIAL NOS.
 ML 51 5121
 V16 1851772
 V36 35514786
 REPLACE CLEVIS 3274,
 PULLEY AXIS 3275 AND
 RETAINING RING 3276
 TOGETHER.



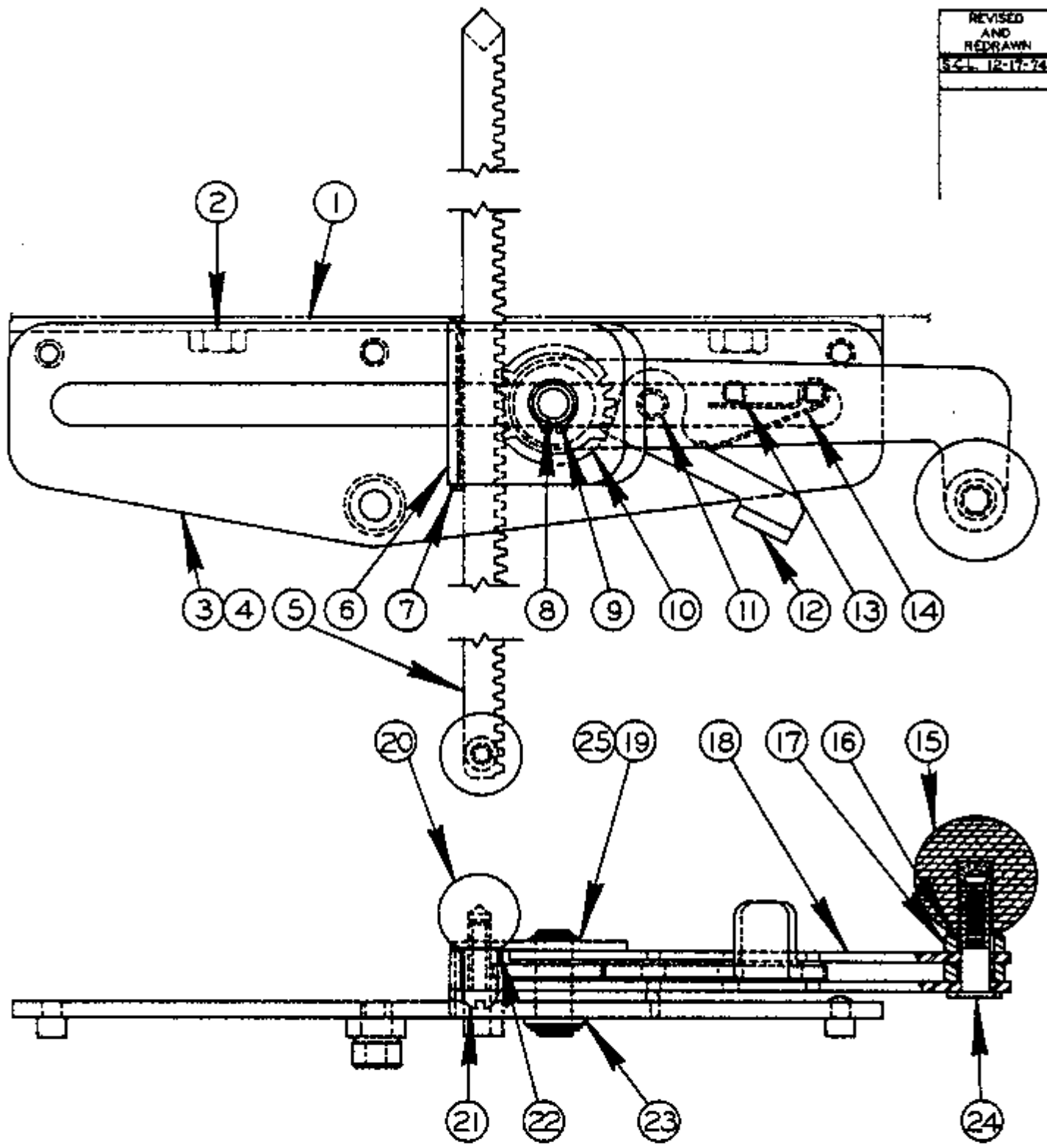
- 5-13418-HOOK FITTING . . . 1
- 5-13506-CHAIN V16 . . . 1
- 6-13501-CHAIN ML,V36,V36-3.1
- 5-13419-EYE FITTING . . . 1
- 5-13417-HOUSING . . . 1
- 35-6397-CABLE CARRIER . . . 1
- 5-13410-NUT . . . 2
- 13-13401-CHAIN ROLLER . . . 1
- 21344-WT. BRKT SCREW ASSY . . . 1
- 5-13301-WEIGHT BEAM . . . 1
- 34-05410-COLLAR . . . 1
- 5-1303-HINGE . . . 1
- 34-05524-UNIVERSAL . . . 1
- 5-13003-HANDWHEEL ASSY . . . 1
- 5-3408-SHAFT . . . 1
- 34-3508-BALL . . . 1
- 35-7489-PIVOT HEX HD . . . 1
- 34-346-PIVOT SCREW HD . . . 1
- 34-05103-HANDWHEEL . . . 1
- 34-13305-ESCUTCHEON . . . 1
- 5-13113-FOOT PEDAL . . . 1
- 5-13315-RELEASE LEVER . . . 1
- 5-13112-WEIGHT . . . 1

POWER FEED ASSEMBLY-MODELS ML, V16 V36 & V36-3 - 5-13006

MODEL	FIRST MACH	LAST MACH
V16	4813506	542353
V36	5-68165	327750
V36-3	34484346	375324

PRINTED IN U.S.A.

REVISED
AND
REDRAWN
54-12-17-74



RATCHET TABLE FEED ASSEMBLY

C-10-20 CM-9-7 Z-10-2

PRINTED IN U.S.A.

RATCHET TABLE FEED ASSEMBLY

INDEX NO.	CATALOG NO.	DESCRIPTION	UNITS PER ASS'Y
Ref.	090-429788	Table Feed Assembly	
1	090-429770	. Table Feed Bracket	1
2	091-980433	. Screw, Hex. Hd. Cap 3/8-16NC x 5/8	2
3	090-400615	. Table Feed Assembly	1
4	090-408253	. . Base Plate Assembly	1
5	090-200973	. . Rack Weldment	1
6	090-013434	. . Bracket	1
7	090-013491	. . Spring	1
8	090-013442	. . Center Pin	1
9	135-096139	. . Retaining Ring	2
10	090-013459	. . Gear	1
11	090-013327	. . Spacer Pin	1
12	090-013467	. . Thumb Lever	1
13	090-013319	. . Spacer Pin	2
14	090-013509	. . Spring	1
15	134-135086	. . Knob	1
16	091-993584	. . Washer, Lock 3/8 Shakeproof Int.	1
17	090-013426	. . Spacer	2
18	090-013475	. . Arm	2
19	091-334805	. . Shim	1
20	091-339713	. . Knob	1
21	091-988980	. . Screw, Rd. Hd. Mach. 1/4-20NC x 7/8	1
22	091-993568	. . Washer, Lock 1/4" Shakeproof Internal	1
23	090-055591	. . Washer, Flat	1
24	090-044173	. . Screw	1
25	091-334813	. . Shim	1

NOTE: BEFORE 4-26-43 CLAMP & WORK GUIDE
MUST BE REPLACED AT THE SAME TIME.

ASSY. NO.
35-5278
V16_HSV3_HSV3_LSV3_SFP3.
35-543
ML_Z16_16_LSV_16_SFP
30GFP_MO-16.
35-542
V26_Z26_V36_Z36-V60
Z60_36R_36W_Z36-16
Z26_Z60_V36-3.
35-2460
Z36

1-WORK GUIDE _ _ 35-2461
35-547-V16
35-548-ML, Z18 MO-16
35-546-V26, V36, V60, Z26
V36-3, Z36-16, Z60
35-2461-Z36

1-CLAMP _ _ _ _ 35-544
35-545-ML V16 Z18 MO-16
35-544-V26 V36 V60 Z26
V36-3, Z36, Z36-16, Z60

1-GUIDE _ _ _ _ 11-16302
5-16302-ML V16 Z18 MO-16
11-16302-V26 V36 V60 Z26
V36-3, Z36, Z36-16 Z60

1-HANDWHEEL & SCREW 5-16004

2-SCREW _ _ _ _ 5-16403

1-CLAMP BAR _ _ _ 5-16303

2-CLIPS _ _ _ _ 34-06504

4. 3/8-16X3/4 SOCKET CAP SCR
2. 1/4-20X1/2 SOCKET SET SCR

C-10-34 Z-9-17

PRINTED IN U.S.A.

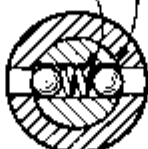
RIP FENCE ASSEMBLY
E-7 & 8

FIRST USED IN 1939
LAST USED 1960

*NOTE: BEFORE 5-1-42 COMPLETE SWIVEL ASSEMBLY MUST BE REPLACED.

2-STEEL BALLS -- -- 5-03502

1- SPRING 5-03501



SECTION
AA

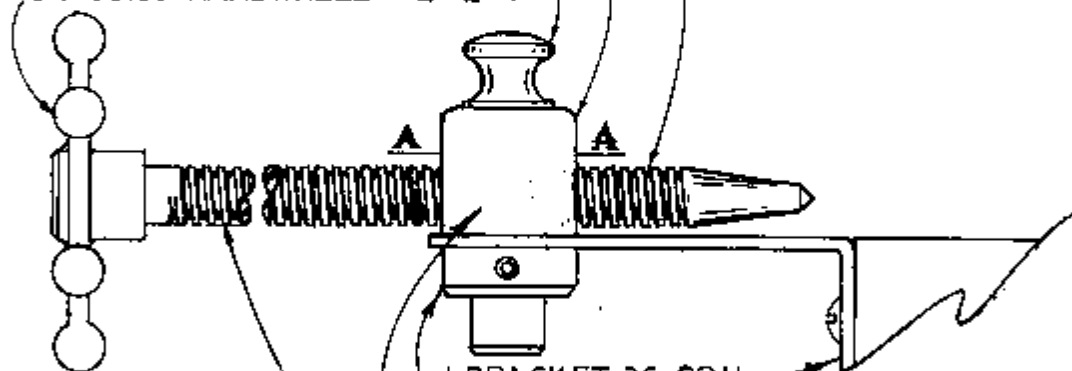
1-SCREW

13"	34-03403
17"	11-03401

* 1-SWIVEL 5-03401

* 1-KEY 5-03402

34-03106-HANDWHEEL 1



1-BRACKET 35-6211

11-28418 COLLAR 1

35-5224 SWIVEL ASSY. 1

SCREW & HANDWHEEL ASSY. . . . 1

5-03004	13" LONG	USE WITH 24" TABLE
11-03007	17" LONG	USE WITH 30" TABLE

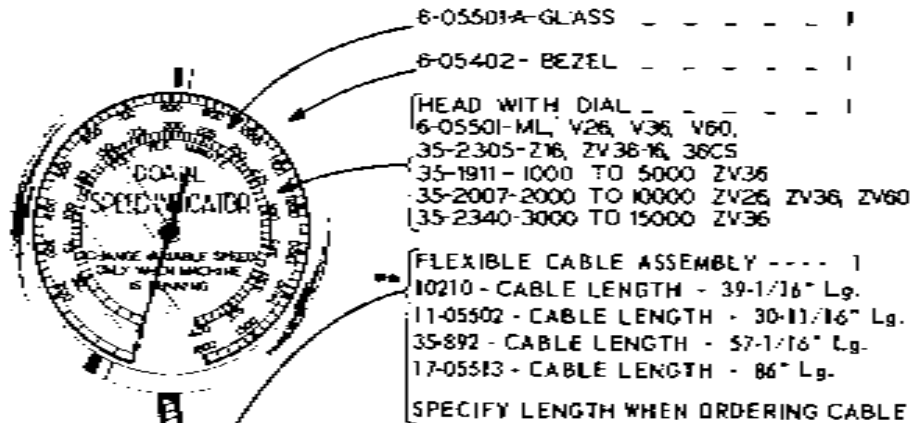
FILLER PLATE MOUNTING
SWIVEL & SCREW ASSY.
WITH 13" LONG SCREW-5-03001
WITH 17" LONG SCREW-35-5442
TABLE BRACKET MOUNTING
COMPLETE ASSY-35-6212

5-03001 -- 35-5442
SCREW FEED

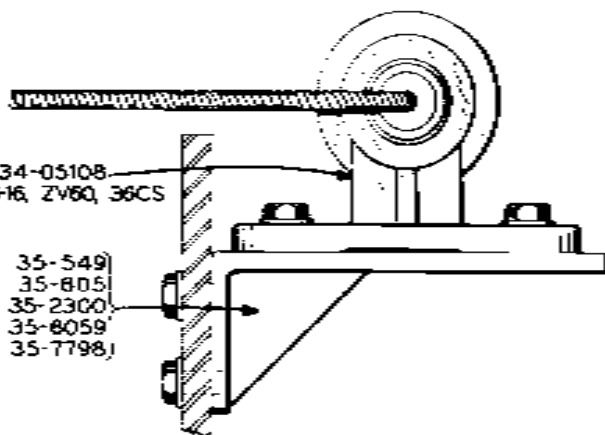
FIRST UNIT 4-11-38
LAST UNIT 12-31-59

C-10-17 CM-9-6
Z-10-1

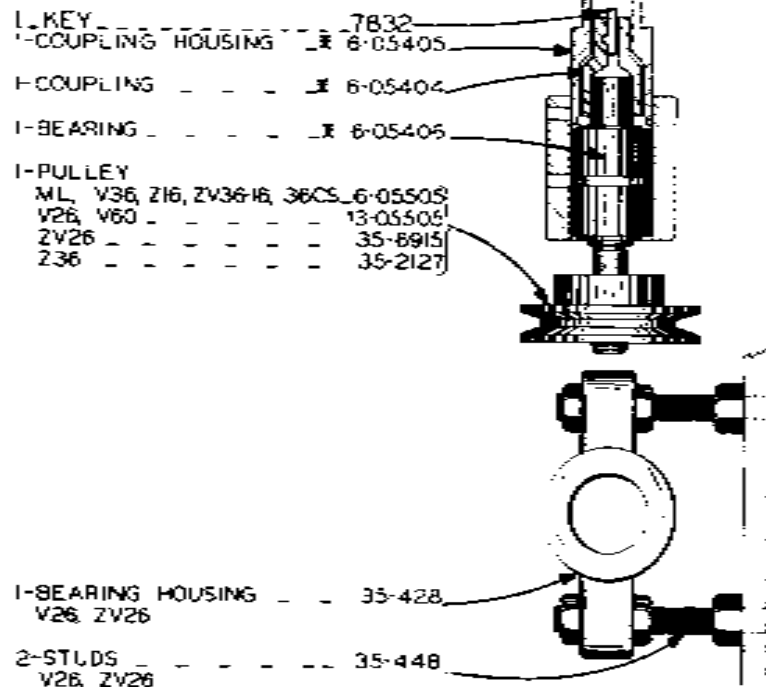
PRINTED IN U.S.A.



- I-BEARING HOUSING - - - - 34-05108
 V36, V60, Z16, ZV36, ZV36-16, ZV60, 36CS
 I-MOUNTING BRACKET
 ML, V36 - - - - - 35-549
 V60 - - - - - 35-805
 Z16, ZV36-16, 36CS - - - - 35-2300
 ZV26 - - - - - 35-8059
 ZV60 - - - - - 35-7798



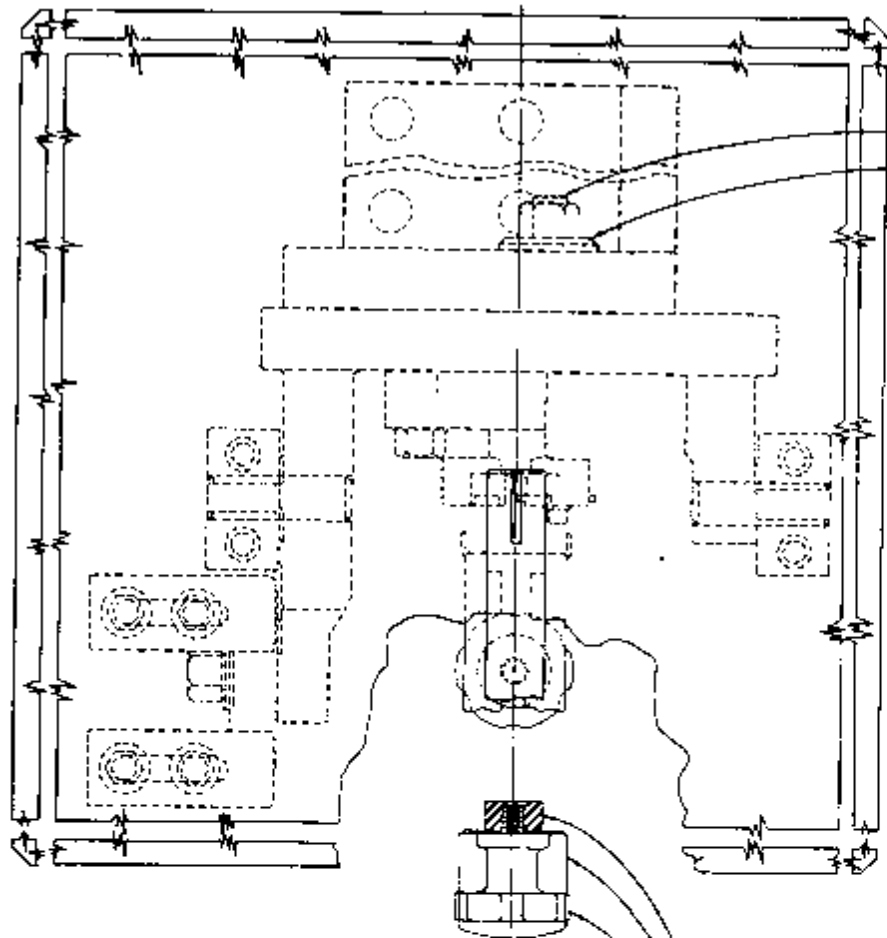
MODEL	LAST MACHINE
ML - - - - -	5418353
V26 - - - - -	285 2 420
V36 - - - - -	36535628
V60 - - - - -	605 25
Z16 - - - - -	5316402
ZV26 - - - - -	5026110
ZV36-16 - - - - -	5336145
ZV60 - - - - -	6039053
36CS - - - - -	54087
ZV36 - - - - -	5336145



NOTE: ON MACHINES SHIPPED BEFORE 11-1-42 PARTS
 6-05404, 6-05405 & 6-04506 MUST BE REPLACED
 AT THE SAME TIME
 ** ORDER 7832 KEY WHEN ORDERING
 CABLE ASSEMBLY...

SPEED INDICATOR ASSEMBLY

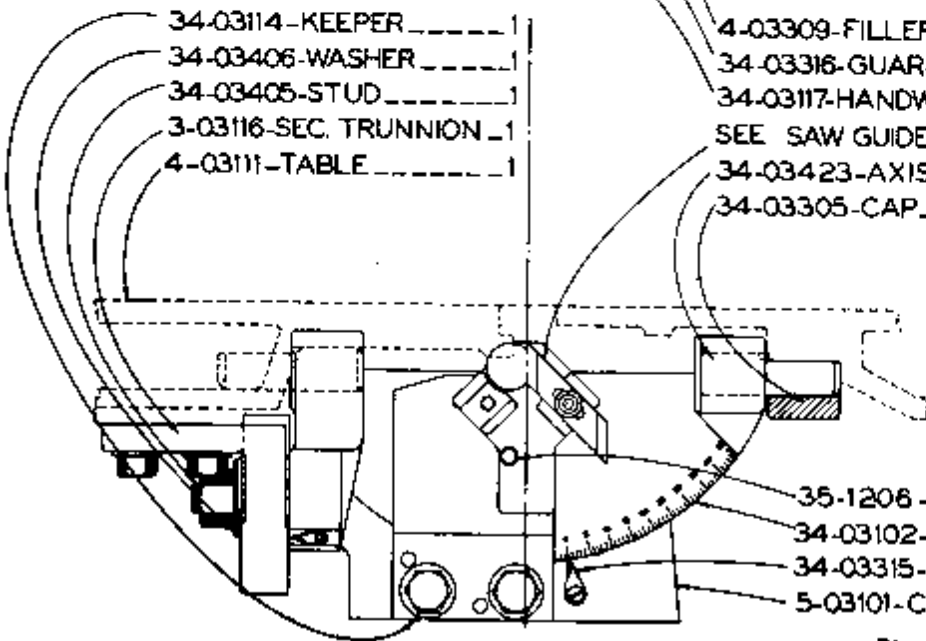
FIRST MACHINE 4-11-38



- 34-03404-STUD-----1
- 34-03414-WASHER---1

- 34-03114-KEEPER-----1
- 34-03406-WASHER-----1
- 34-03405-STUD-----1
- 3-03116-SEC. TRUNNION_1
- 4-03111-TABLE-----1

- 4-03309-FILLER PLATE___1
- 34-03316-GUARD-----1
- 34-03117-HANDWHEEL___4
- SEE SAW GUIDES
- 34-03423-AXIS-----2
- 34-03305-CAP-----2



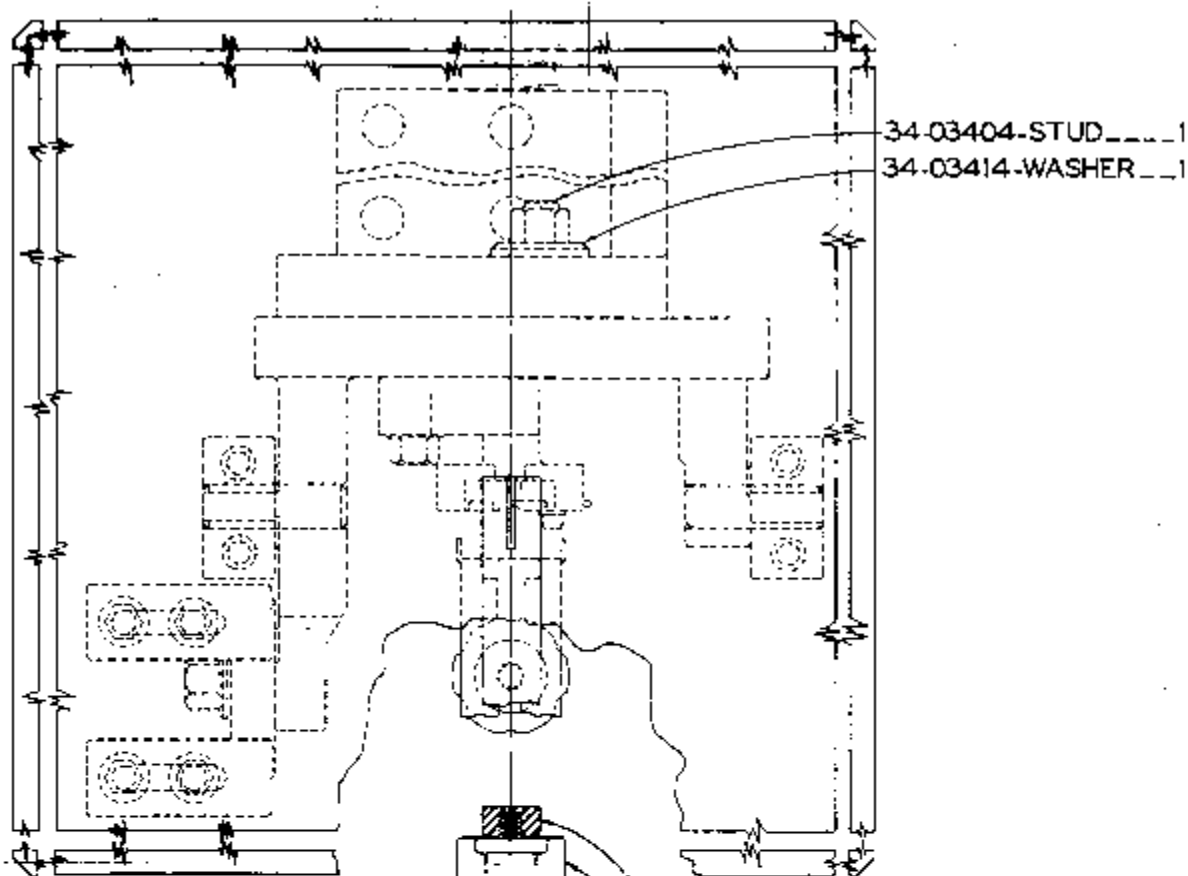
- 35-1206-SCREW-----1
- 34-03102-TRUNNION___1
- 34-03315-POINTER___2
- 5-03101-CRADLE-----1

**ML & Z-16
TABLE AND TRUNNION ASSEMBLY**

C-3-2 Z-3-1

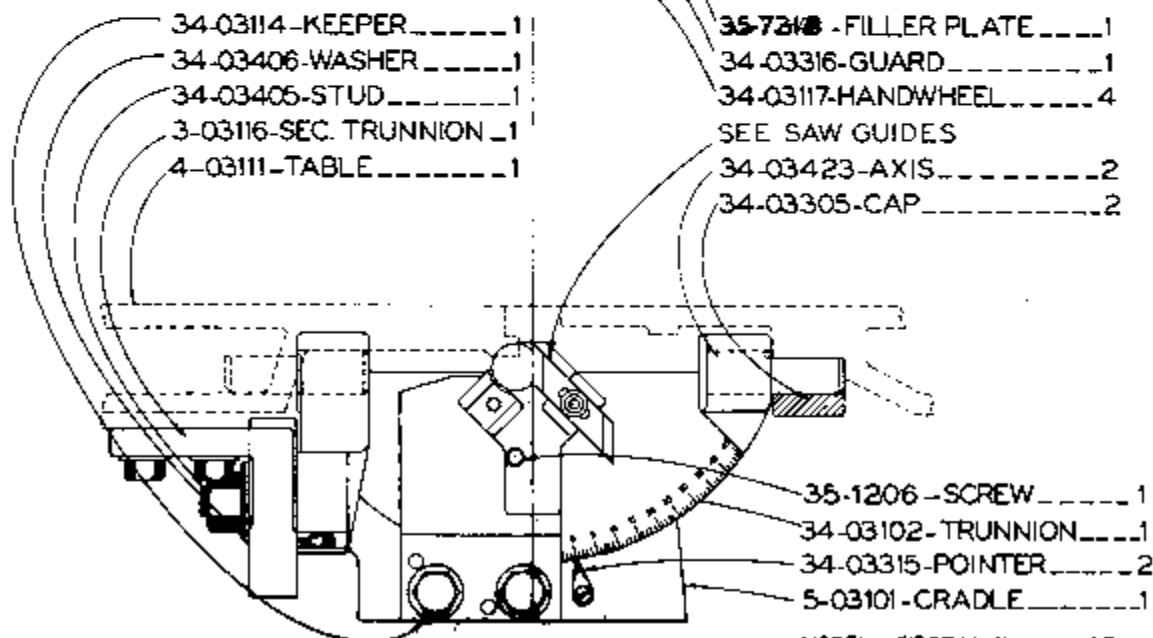
	First Mach.	Last Mach.
ML	3801	4712768
Z-16	4506116	4726616

ML & Z-16



34-03114-KEEPER ___ 1
34-03406-WASHER ___ 1
34-03405-STUD ___ 1
3-03116-SEC. TRUNNION ___ 1
4-03111-TABLE ___ 1

35-7318-FILLER PLATE ___ 1
34-03316-GUARD ___ 1
34-03117-HANDWHEEL ___ 4
SEE SAW GUIDES
34-03423-AXIS ___ 2
34-03305-CAP ___ 2

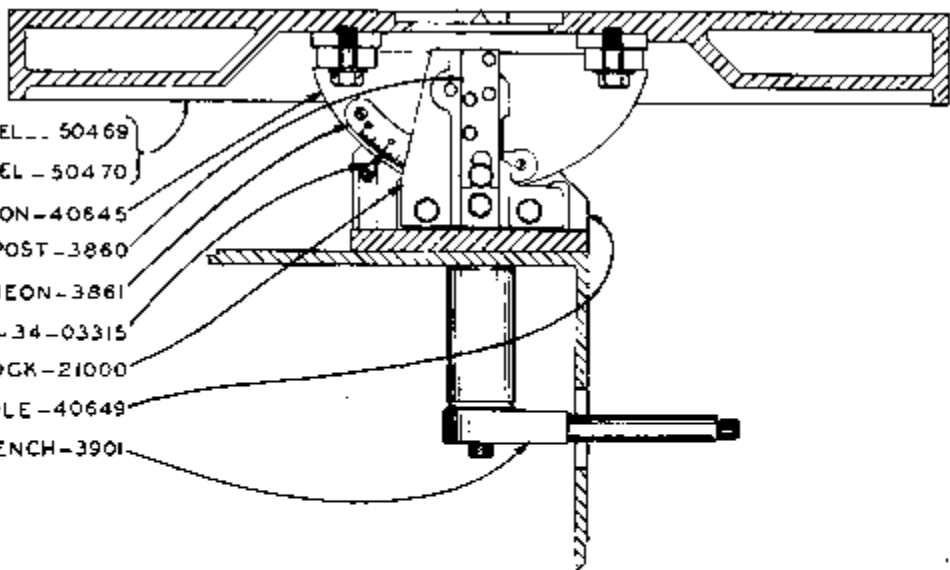


ML & Z-16
TABLE AND TRUNNION ASSEMBLY

G-3-3 2-2-2

MODEL	FIRST MACH.	LAST MACH.
ML	4712769	5118030
Z-16	4725716	5116335

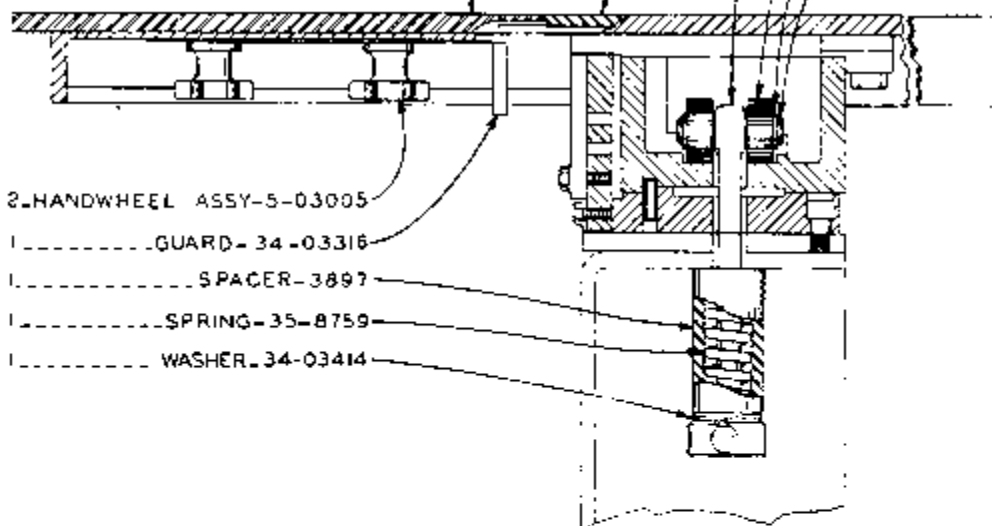
PRINTED IN USA



- 1 TABLE V16 MODEL 50469
- 1 TABLE ML & Z16 MODEL 50470
- 1 TRUNNION 40645
- 1 LOWER POST 3860
- 1 ESCUTCHEON 3861
- 1 POINTER 34-03315
- 1 LOWER POST BLOCK 21000
- 1 CRADLE 40649
- 1 RATCHET WRENCH 3901

- 1 FILLER PLATE SAWING
- ML & Z16 35-7322
- V16 35-7318
- 1 FILLER PLATE FILING
- ML & Z16 35-7320
- V16 35-7319

- 3866-CENTER PLATE ML-Z16 1
- 3898-EYE BOLT 1
- 1846-ROLLER 2
- 35-6426-RETAINING RING 2
- 1848-PIN 1



- 2 HANDWHEEL ASSY 5-03005
- 1 GUARD 34-03316
- 1 SPACER 3897
- 1 SPRING 35-8759
- 1 WASHER 34-03414

MODEL V16 ML & Z-16
STANDARD TABLE & TRUNNION ASSEMBLY

MODEL	FIRST MACH.	LAST MACH.
V-6	1651021	46380
ML	5115526	548353
Z-16	5118338	558492

C-3-23 2-3-16

PRINTED IN USA

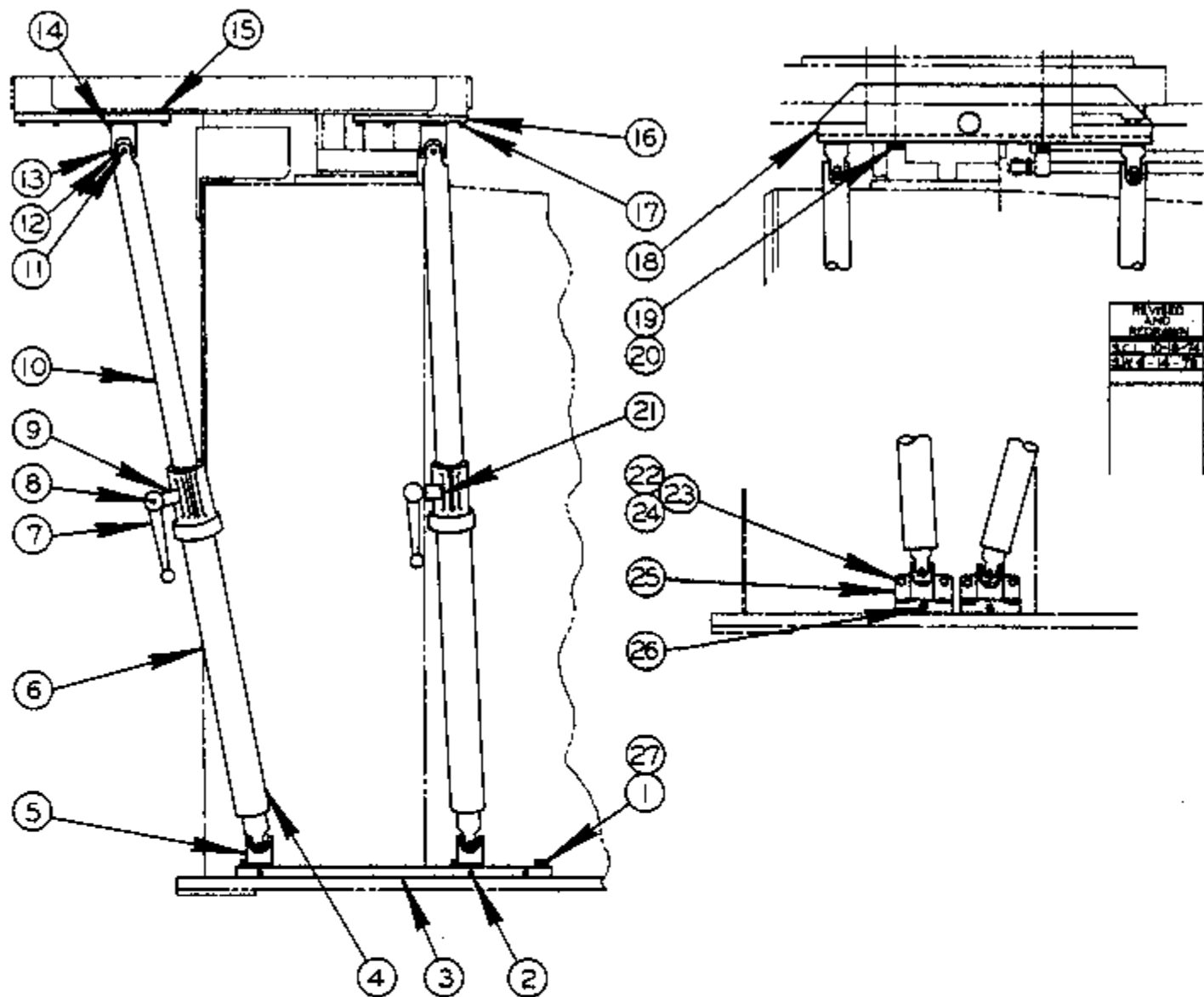


TABLE SUPPORT ASSEMBLY

C-9-107 CM-9-4 Z-9-16

PRINTED IN U.S.A.

TABLE SUPPORT ASSEMBLY

INDEX NO.	CATALOG NO.	DESCRIPTION	UNITS PER ASS'Y
*Ref.	090-554361	Table Support Assembly (1612, 3612, 1612-0, 3613-0, 1612-1, 2612-1, 3613-1, 1613-2, 3613-2, H56013, 2013-1, 2013-10, 2012-1A, 2012-1AT)	
*Ref.	090-508268	Table Support Assembly (1611-H, 1612-H, 3612-H, 2612-H, 2612-1H, 2612-2H, 1612-3, 3612-3, 2012-1H, 2012-1H3, 2612-1H3, 2614-1)	
*Ref.	090-512161	Table Support Assembly (2613-2, 6013-2)	
*Ref.	090-529926	Table Support Assembly (2613-3, 6013-3, 6013-H3)	
*Ref.	117-030031	Table Support Assembly (Zephyrs, Z5-3620, ZV-3620, ZW-3620)	
1	091-980466	. Screw, Hex. Hd. Cap 3/8-16NC x 1	Use
2	091-984104	. Screw, Soc. Hd. Set #10-24NC x 1/4	One
3	090-295924	. Plate	1
*4	135-052397	. Table Support and Rod Assembly	2
5	135-008779	. . Universal Joint	1
6	135-052389	. . Table Support Tube Sub-Assembly	1
7	117-031054	. . Lock Lever	1
8	090-042599	. . Roll Pin	1
9	117-034066	. . Lock Shaft	1
10	117-034041	. . Support Rod	1
11	091-331850	. . Universal Joint Pin	2
12	091-331835	. . Universal Joint Swivel	2
13	091-331843	. . Universal Joint Swivel Pin	2
14	093-026789	. . Universal Joint Threaded End	1
15	090-304403	. Left Table Support Plate (Used on Assembly #090-554361)	1
16	090-304411	. Right Table Support Plate (Used on Assembly #090-554361)	1
17	091-982207	. Screw, Soc. Hd. Cap #10-24NC x 1/2	8
18	090-222977	. Angle Bracket (Used on Assembly #090-508268)	1
19	091-980441	. Screw, Hex. Hd. Cap 3/8-16NC x 3/4	2
20	091-992644	. Washer 3/8" Std.	6
21	091-322875	. Spacer Option List	A.R.
	135-077089	. Spacer (Used only on Assembly #090-512161)	A.R.
22	091-980458	. Screw, Hex. Hd. Cap 3/8-16NC x 7/8	4
	091-980466	. Screw, Hex. Hd. Cap 3/8-16NC x 1	4
23	091-991265	. Nut, Hex. 3/8-16NC	4
24	091-992644	. Washer 3/8" Std.	4
	091-993329	. Washer, Lock 3/8" Std.	4
25	117-031047	. Bottom Bracket	2
26	091-984237	. Screw, Soc. Set 1/4-20NC x 5/16	2
27	091-993329	. Washer, Lock 3/8" Std.	A.R.
	091-992685	. Washer 3/4" Std.	2

*NOTE: All Table Support Assemblies use Table Support and Rod Sub-Assembly #135-052397. However, Different Upper and Lower Connecting Brackets are Used. Locate on the Drawing the Brackets Used on Your Machine.

- 1-TIRE _____ 5-01502
- 1-WHEEL _____ 5-04110
- 1-HOUSING _____ 35-551
- 1-GASKET _____ 5-04311
- 1-YOKE _____ 6-04103
- 1-COVER _____ 5-04109
- 1-GEAR _____ 6-04421
- 1-SPACER _____ 5-04305
- 1-GASKET _____ 5-04308
- AS REG
1-SPACER _____ 5-04304
- 1-KEY _____ 5-04604
- 1-SHAFT _____ 6-04504
- 1-BEARING
* SKF
NORMA HOFFMAN _____ 35-3907
NDWC.8506 OR HOOVER.5762
- 1-COVER
* FOR SKF BEARING _____ 5-04315
FOR NORMA HOFFMAN
BEARINGS _____ 35-2759
FOR NDWC.8506 OR HOOVER.4056
- 2-KEY _____ 6-04305
- 1-CLUTCH _____ 6-04505
- 1-GEAR (B) _____ 6-04423
- 1-BEARING _____ 5-01501
- 1-PINION (A) _____ 5-04421
- 2-KEY _____ 5-04602
- 1-GEAR (D) _____ 6-04424
- 1-COLLAR _____ 6-04425
- 1-GEAR (C) _____ 5-04424

- 17-13521-ELBCW _____ 1
- 6-04426-SHAFT _____ 1
- 5-04518-BUSHING _____ 1
- 5-04307-SPACER _____ AS REG
- 5-04306-SPACER _____ AS REG
- 5-04414-SPACER _____ 1
- 6-04306-PLATE _____ J
- 6-04409-STUD _____ J
- 6-04307-BRACKET _____ 1
- 34-13508-KNOB _____ 1
- 6-04412-LOCK _____ J
- 6-04403-LEVER _____ J
- 6-04410-SHAFT _____ J
- 6-04308-SPRING _____ J
- 6-04415-COLLAR _____ J
- 6-04406-BUSHING _____ J
- 6-04404-ECCENTR.C. _____ J
- 6-04302-SEGMENT _____ J
- 6-04313-SPRING _____ J
- 6-04303-BRACKET _____ J

- 5-04602-KEY _____ 1
- 6-04509-SHEAVE _____ 1
- 5-04422-PINION (G) _____ 1
- 5-04302-COVER _____ 1
- 5-04508-BEARING _____ 1
- 5-04309-GASKET _____ 2
- 5-04413-SPACER _____ 1
- 5-04509-BEARING _____ 1
- 5-04312-SPACER _____ J
- 5-04303-COVER _____ 1
- 5-04310-GASKET _____ 1
- 5-01501-BEARING _____ 1
- 1-NIPPLE _____ 5-04616
- 2-ELBCW _____ 5-04617
- 1-PLUG _____ 5-04618
- 1-NIPPLE (NOT SHOWN) _____ 35-3502

NOTE:
ASSEMBLY SOLD LESS
INPUT SHEAVE-6-04509 AND
LOWER WHEEL-6-04110

NOTE: A, B & C
MATING GEARS MUST BE
REPLACED AT THE SAME
TIME

*NOTE: 5-04315 OIL SLINGER
USED WITH SKF 5-04507
AND COVER 5-04315

MODEL FIRST MACH. LAST MACH.
ML 3801 4712509

TRANSMISSION ASSEMBLY - MODEL ML - 6-04001

4-4-7

PRINTED IN U.S.A.

- 1-TIRE _____ 5-01502
- 1-WHEEL _____ 5-04110
- 1-HOUSING _____ 35-551
- 1-GASKET _____ 5-04311
- 1-SHIFTER ASY. 35-5026
- 1-COVER _____ 5-04109
- 1-GEAR _____ 6-04421
- 1-SPACER _____ 5-04305
- 1-GASKET _____ 5-04308
- AS REQ. SPACER _____ 5-04304
- 1-KEY _____ 5-04604
- 1-SHAFT ASSY. _____ 21788
- 1-BEARING _____
- * SKF _____ 5-04507
- NORMA HOFFMAN _____ 35-3907
- NDWC. 8506 OR HOOVER. 5162
- 1-COVER _____
- * FOR SKF BEARING _____ 5-04315
- FOR NORMA HOFFMAN
- BEARING _____ 35-2759
- FOR NDWC. 8506 OR HOOVER. 2056
- 2-KEY _____ 6-04305
- 1-CLUTCH _____ 6-04505
- 1-GEAR _____ 6-04423
- 1-BEARING _____ 5-04509
- 1-PINION _____ 5-04421
- 2-KEY _____ 5-04602
- 1-GEAR _____ 6-04424
- 1-COLLAR _____ 6-04425
- 1-GEAR _____ 5-04424

- 17-13521-ELBOW _____
- 5-04307-SPACER _____ AS REQ.
- 5-04306-SPACER _____ AS REQ.
- 35-6563-SPACER _____ 1
- 5-04414-SPACER _____ 1

- 6-04306-PLATE _____ J
- 6-04409-STUD _____ J
- 6-04307-BRACKET _____ 1
- 34-13508-KNOB _____ 1
- 6-04412-LOCK _____ J
- 35-4251-LEVER _____ J
- 35-4532-SHAFT _____ J
- 6-04308-SPRING _____ 1
- 6-04415-COLLAR _____ 1
- 2762-WASHER _____ 1
- 6-04404-ECCENTRIC _____ J
- 35-6562-SEGMENT _____ J
- 6-04313-SPRING _____ 1
- 4033-BRACKET _____ 1

- 5-04602-KEY _____ J
- 6-04509-SHEAVE _____ J
- 5-04422-PINION _____ 1
- 5-04302-COVER _____ 1
- 5-04508-BEARING _____ 1
- 5-04309-GASKET _____ 2
- 5-04413-SPACER _____ 1
- 5-04509-BEARING _____ 1
- 5-04312-SPACER _____ J
- 5-04303-COVER _____ 1
- 5-04509-BEARING _____ J
- 1-NIPPLE _____ 5-04616
- 1-ELBOW _____ 5-04617
- 1-PLUG _____ 5-04618

NOTE:
 ASSEMBLY SOLD LESS
 INPUT SHEAVE-6-04508 AND
 LOWER WHEEL-6-04110

NOTE: AB & C
 MATING GEARS MUST BE
 REPLACED AT THE SAME
 TIME.

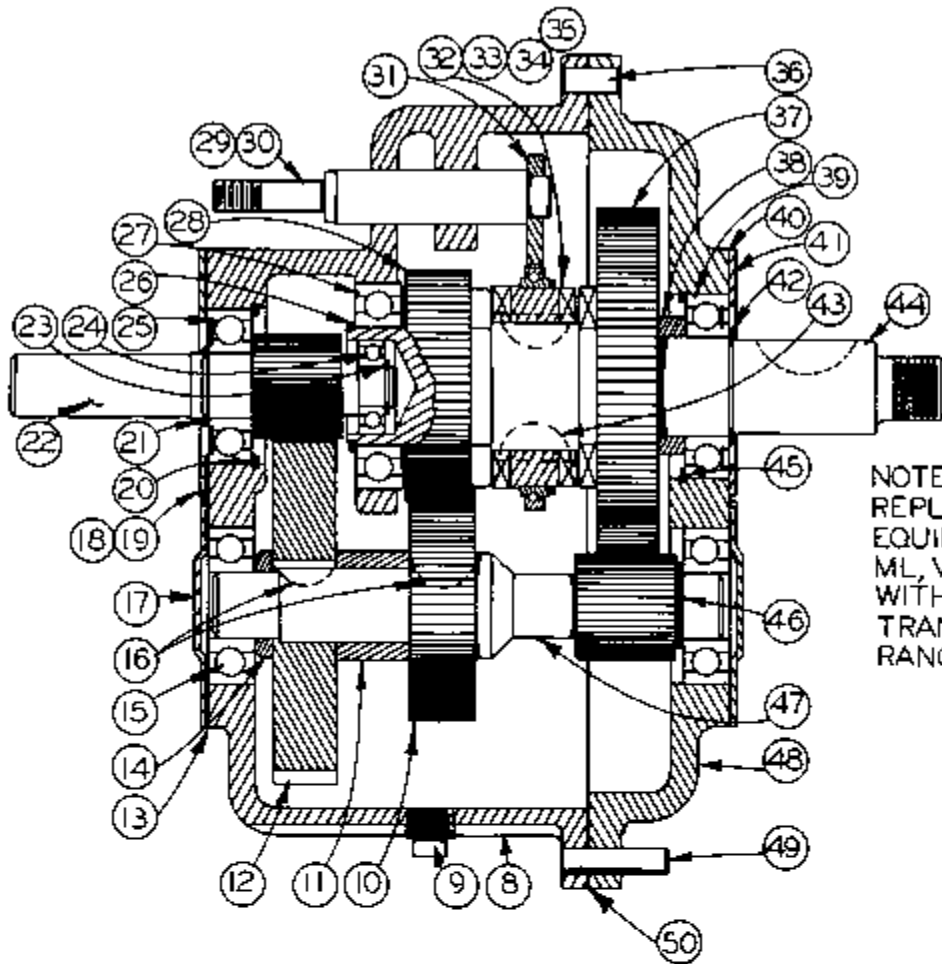
*NOTE: 5-04315 OIL SLINGER
 USED WITH SKF 5-04507
 AND COVER 5-04315

TRANSMISSION ASSEMBLY-MODEL ML-6-04001

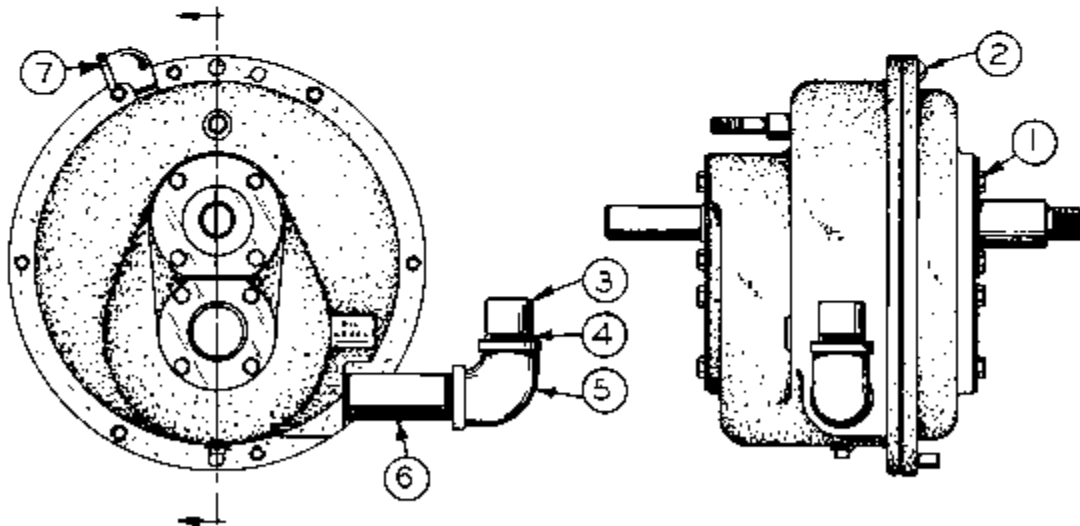
Model First Mach. Last Mach.
 ML 4712810 5418353

C-4-3

Printed in U.S.A.



NOTE: THIS TRANS. ASSY.
REPLACES ORIGINAL
EQUIPMENT ON MODELS
ML, V-36, 16-2, & 36-2
WITH A TWO SPEED
TRANS. WITH SPEED
RANGES OF 50 TO 1500.

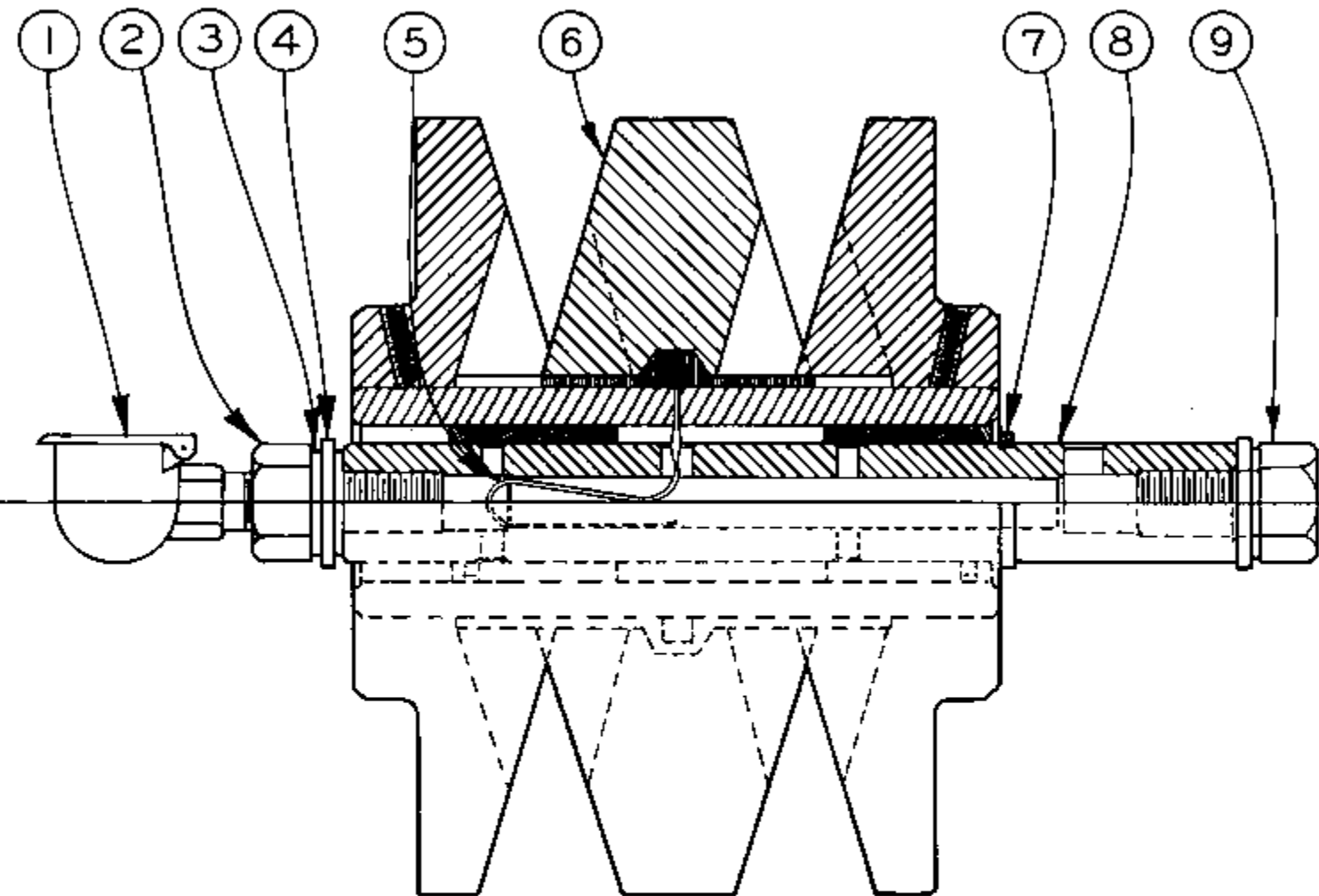


2 SPEED TRANSMISSION ASSY

2 SPEED TRANSMISSION ASSEMBLY

INDEX NO.	PART NO.	DESCRIPTION	UNITS PER ASS'Y.								
			1	2	3	4	5	6	7		
	55617	2 Speed Transmission Assembly								1	
1	Comm.	Hex. Hd. Cap Scr. 1/4-20 x 3/8									16
2	Comm.	Flt Hd. Mach. Scr. 5/16-18 x 3/4									4
3	11089	Pipe Cap									1
4	5905	Nipple									1
5	5-04617	90° Elbow									1
6	100187	Nipple									1
7	17-13521	90° St. Elbow									1
8	54871	Transmission Case									1
9	5-04612	Pipe Plug									1
10	6-04424	Gear									1
11	105687	Spacer									1
12	5-04424	Gear									1
13	5-04309	Gasket									2
14	103235	Spacer									1
15	108557	Bearing									2
16	5-04602	Key									2
17	5-04303	Cover									2
18	105688	Coverplate									1
19	105689	Gasket									1
20	35-8189	Retaining Ring									1
21	35-8864	Retaining Ring									1
22	31714	Input Shaft and Pinion									1
23	105710	Retaining Ring									1
24	105698	Bearing									1
25	100122	Bearing									1
26	35-7538	Retaining Ring									1
27	2273	Bearing									1
28	29277	Clutch Gear									1
* 29	111449	Shifter Fork Assembly									1
30	111446	Shifter Shaft									1
31	111448	Shifter Yoke Weldment									1
* 32	111451	Shifter Clutch Assembly									1
33	48621	Shifter Clutch									1
34	111450	Ball Bearing									1
35	4209	Rollpin									3
36	5-04415	Dowel Pin									1
37	6-04421	Clutch Gear									1
38	105688	Spacer									1
39	105699	Bearing									1
40	105691	Gasket									1
41	105690	Cover Plate									1
42	1719	Retaining Ring									1
43	35-7192	Key									2
44	29199	Output Shaft									1
45	105709	Retaining Ring									1
46	105700	Shim									As Req.
47	29269	Counter Shaft									1
48	47046	Transmission Cover									1
49	5-04412	Dowel Pin									1
50	5-04311	Gasket									1

*NOTE Shifter Fork Assembly was #35-5026 and clutch assembly was #6-04505. To replace any obsolete part order together #111449 Shifter Fork Assembly and #111451 Shifter Clutch Assembly.



NOTE: VARIABLE ASSY #34-05000
 REPLACES ASSY. NO'S 35-6597, 35-8015 & 43059
 COMPLETE ASSEMBLIES MUST BE ORDERED TO
 REPLACES PARTS IN ABOVE ASSEMBLIES.

MODEL	FIRST MACH.	LAST MACH.
CM-18	116-57101	116-60112

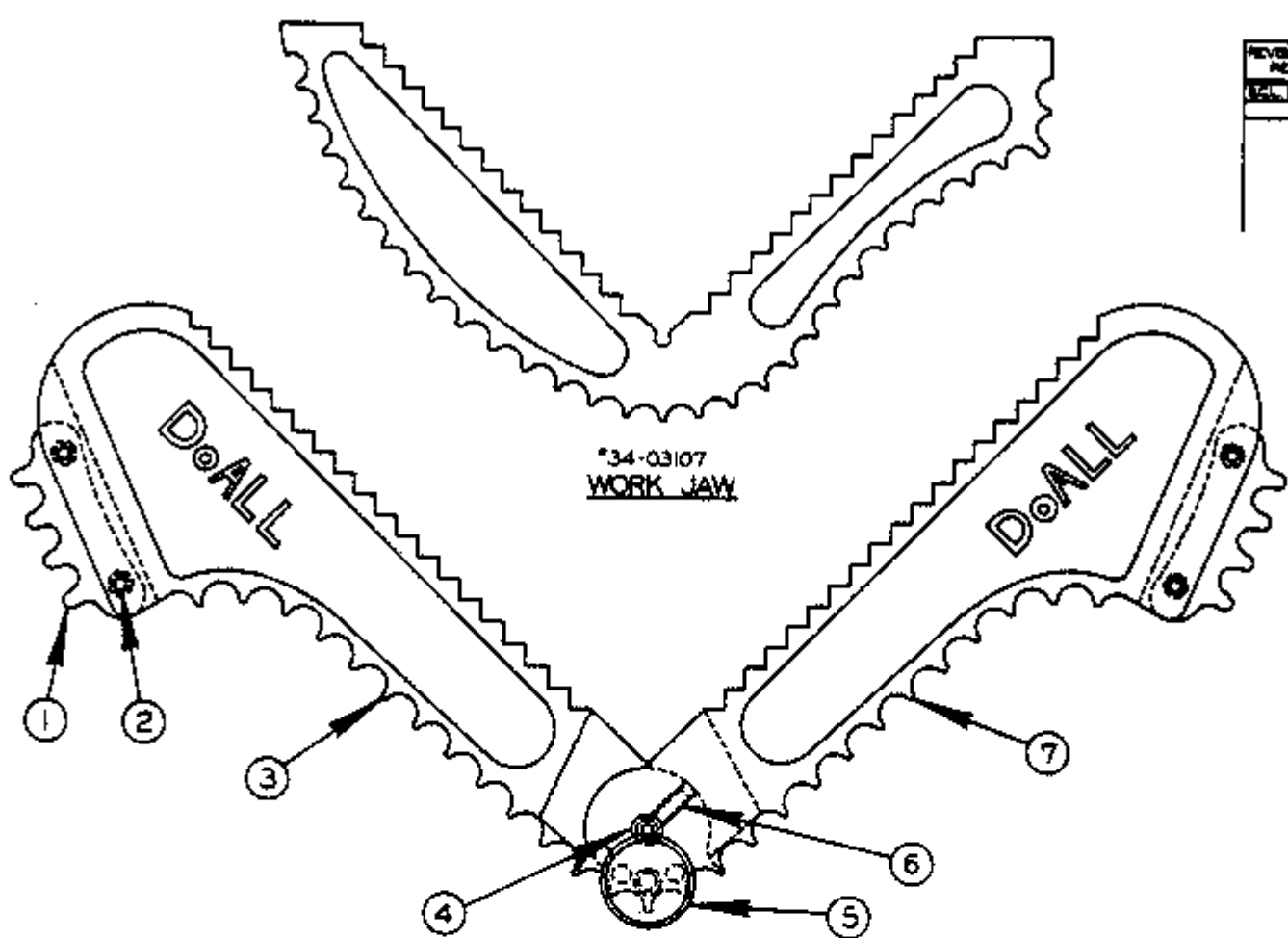
#34-05000
 VARIABLE PULLEY

C-5-35 G7-4.2

PRINTED IN U.S.A.

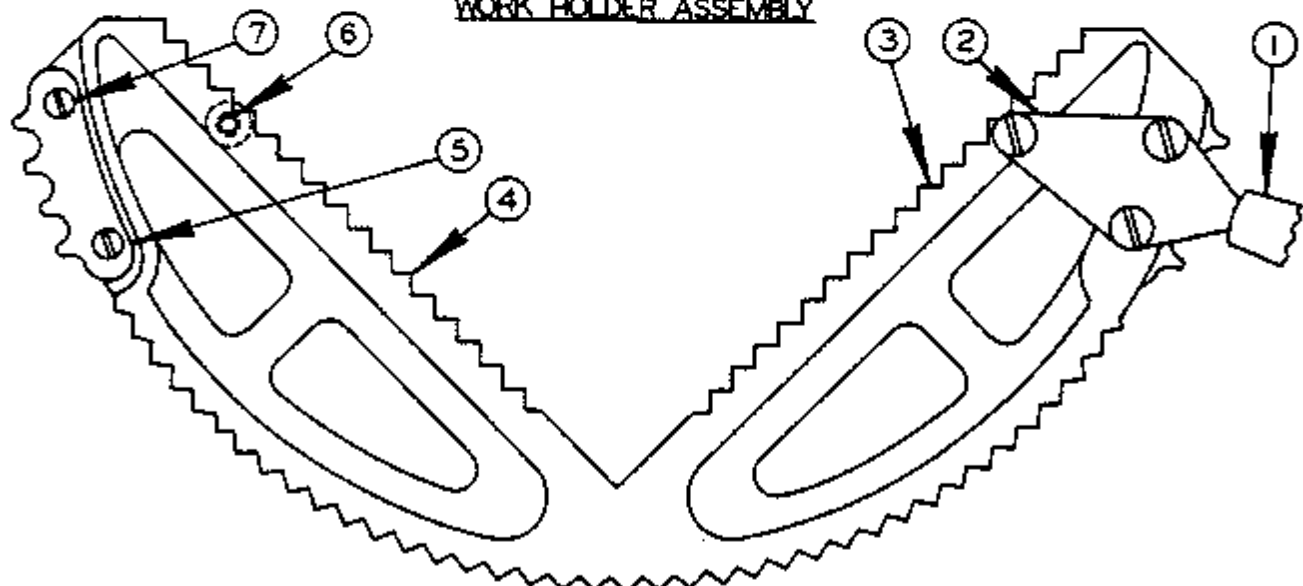
VARIABLE PULLEY ASSEMBLY

INDEX NO.	PART NO.	DESCRIPTION	UNITS PER ASS'Y
Ref.	34-05000	Variable Pulley Assembly	
1	35-5877	. Variable Oiler.....	1
2	35-6039	. Oiler Bolt.....	1
3	34-05519	. Copper Gasket.....	3
4	35-2736	. Washer.....	2
5	34-05311	. Oil Carrier.....	1
6	45665	. Variable Sheaver Sleeve Sub-Assembly.....	1
7	34-05525	. Snap Ring.....	1
8	34-05401	. Variable Pulley Shaft.....	1
9	35-6281	. Bolt 5/8-11 NC x 1.....	1



*34-03107
WORK JAW

*40262
WORK HOLDER ASSEMBLY

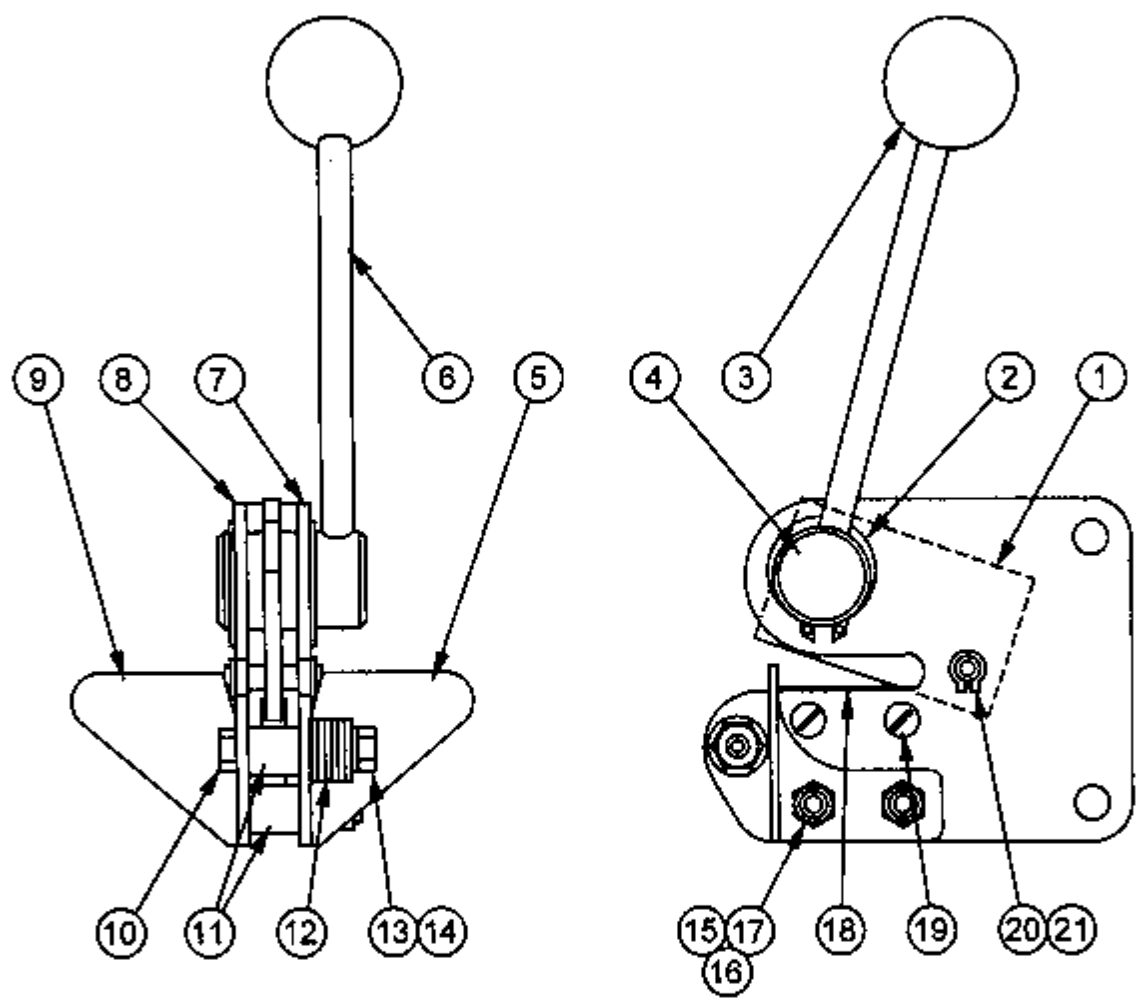


*5-13007
WORK HOLDING JAW ASSEMBLY

WORK HOLDING JAW

INDEX NO.	CATALOG NO.	DESCRIPTION	UNITS PER ASS'Y
REF.	134-031079	Work Jaw	
REF.	090-402629	Work Holder Assembly	
*1	105-133136	. Sprocket	2
2	091-986984	. Screw, Fil. Hd. Mach. #10-24NC x 1/2	4
3	090-203860	. Left Arm	1
4	091-982355	. Screw, Soc. Hd. Cap 1/4-20NC x 3/8	1
5	090-021627	. Knurled Screw	1
6	091-984104	. Screw, Soc. Hd. Set #10-24NC x 1/4	2
7	090-203852	. Right Arm	1
REF.	105-130074	Work Holding Jaw Assembly	
1	105-135123	. Handle	2
2	105-133185	. Handle Bracket	2
3	090-406786	. Work Holding Jaw Sub-Assembly	1
4	105-131106	. . Work Holding Jaw	1
*5	105-133136	. . Sprocket	2
6	091-988923	. . Screw, Rd. Hd. Mach. 1/4-20NC x 5/16	6
7	091-990150	. . Screw, Truss Hd. Mach. #10-24NC x 3/8	4

*NOTE: Before 2/12/44 On Hydraulic Machines Use #106-233372 Sprocket With 3/16" Pitch, Specify Pitch Of Chain When Ordering.



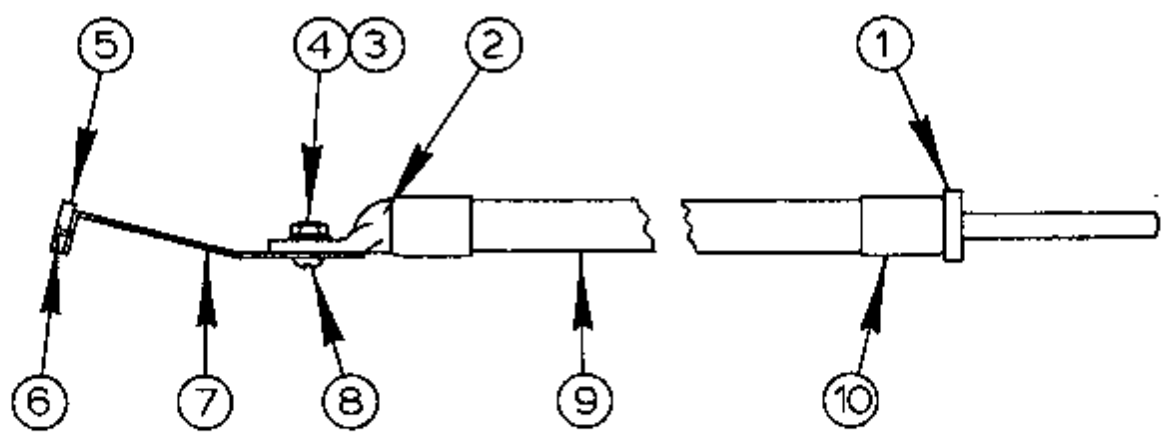
BLADE SHEAR ASSEMBLY

BLADE SHEAR ASSEMBLY

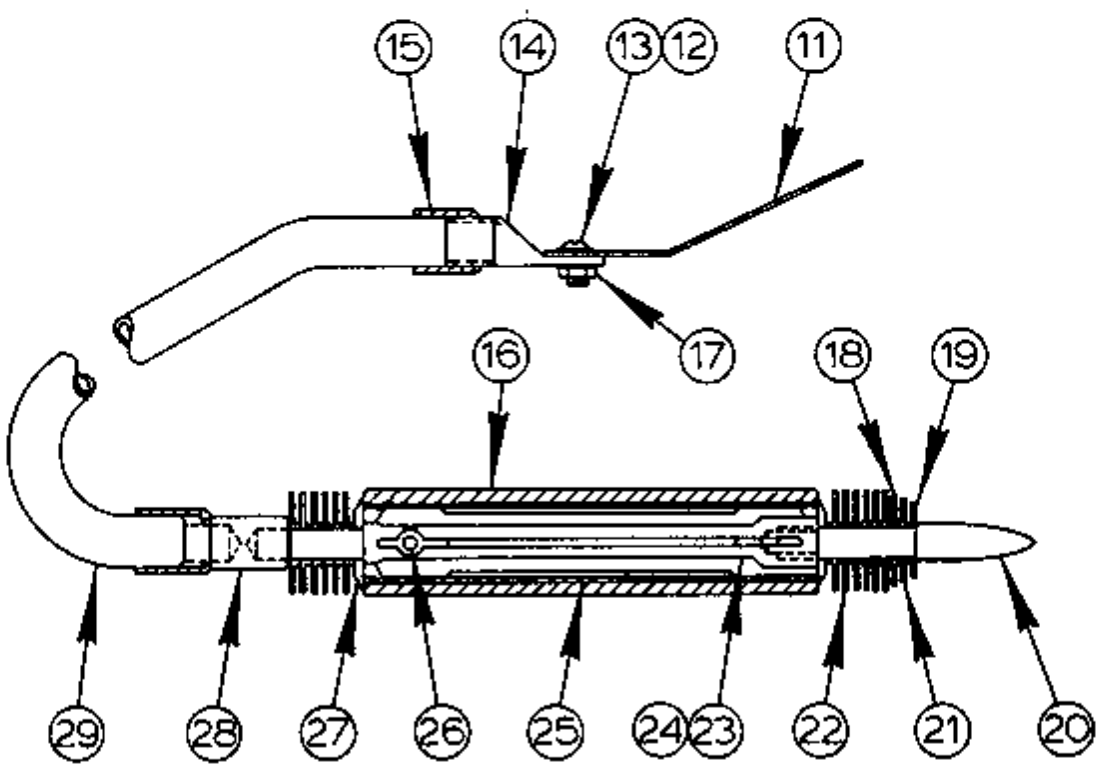
INDEX NO. Ref.	PART NO.	DESCRIPTION	UNITS PER ASSY.
1	091-318073	Blade Shear Assembly	
2	135-084374	. Knife	1
3	135-075588	. Retaining Ring	2
4	134-135086	. Knob	1
5	135-084416	. Eccentric	1
6	135-084465	. R.H. Square	1
7	135-084382	. Handle	1
8	135-084481	. R.H. Side Plate	1
9	135-084473	. L.H. Side Plate	1
10	135-084457	. L.H. Square	1
11	091-980128	. Screw, Hex. Hd. Cap 1/4-20NC x 1-1/2	1
12	091-000168	. Spacer	3
13	091-992610	. Washer, Flat 1/4 S.A.E. Std.	6
14	091-991158	. Nut, Hex. 1/4-20NC	1
15	091-993212	. Washer, Lock 1/4 Std.	1
16	091-980110	. Screw, Hex. Hd. Cap 1/4-20NC x 1-1/4	2
17	091-991158	. Nut, Hex. 1/4-20NC	2
18	091-993212	. Washer, Lock 1/4 Std.	2
19	091-000158	. Blade	2
20	091-988659	. Screw, Rd. Hd. Mach. #10-24NC x 1/4	4
21	135-084515	. Pin	1
	135-085827	. Retaining Ring	2

Following Not Shown and Used for Mounting. Select What Applies to Your Machine:

091-211276	. Nutsert 5/16-18NC.....	2
091-980276	. Screw, Hex. Hd. Cap 5/16-18NC x 3/4.....	2
091-993238	. Washer, Lock 5/16 Std.	2
091-467209	. Bracket	1
091-989061	. Screw, Rd. Hd. Mach. 5/16-18NC x 3/4	2



ETCHING PENCIL SHORT END ASSEMBLY



ETCHING PENCIL ASSEMBLY

ETCHING PENCIL ASSEMBLY

INDEX NO.	PART NO.	DESCRIPTION	UNITS PER ASS'Y
Ref.	113-070031	Etching Pencil Assembly	
*Ref.	135-051092	. Etching Pencil Short End Assembly.....	1
1	106-074206	. . Plug.....	1
2	090-195454	. . Terminal Lug.....	1
3	091-991091	. . Nut, Hex. Jam #8-32NC.....	1
4	091-992925	. . Washer, Flat #8-S Brass.....	1
5	113-073035	. . Welder Jaw Insulator.....	1
6	134-184076	. . File Rivet.....	2
7	113-073027	. . Terminal Strip.....	1
8	091-988527	. . Screw, Rd. Hd. Mach. #8-32NC x 5/16.....	1
9	091-359943	. . Cable.....	A.R.
10	090-021544	. . Ferrule.....	2
Ref.	113-070049	. Etching Pencil Assembly.....	1
11	113-073043	. . Terminal Strip.....	1
12	091-988527	. . Screw, Rd. Hd. Mach. #8-32NC x 5/16.....	1
13	091-992909	. . Washer, Flat #10-L Brass.....	1
14	090-195454	. . Terminal Lug.....	1
15	090-021544	. . Ferrule.....	2
16	106-075039	. . Tube.....	1
17	091-991091	. . Nut, Hex. Jam #8-32NC.....	1
18	106-073083	. . Fin.....	1
19	106-073109	. . Fin.....	1
20	106-074248	. . Point.....	1
21	106-073091	. . Fin.....	1
22	106-073075	. . Fin.....	12
23	135-050771	. . Etching Pencil Stem Assembly.....	1
24	106-072010	. . . Stem.....	1
25	106-074212	. . . Brass Tube.....	1
26	106-074255	. . . Pin.....	1
27	106-073117	. . Washer.....	2
28	106-074230	. . Connector.....	1
29	091-359943	. . Cable.....	A.R.

*NOTE: This Assembly Used For Butt welders With Ground Bushing On Panel Before 6-23-44.