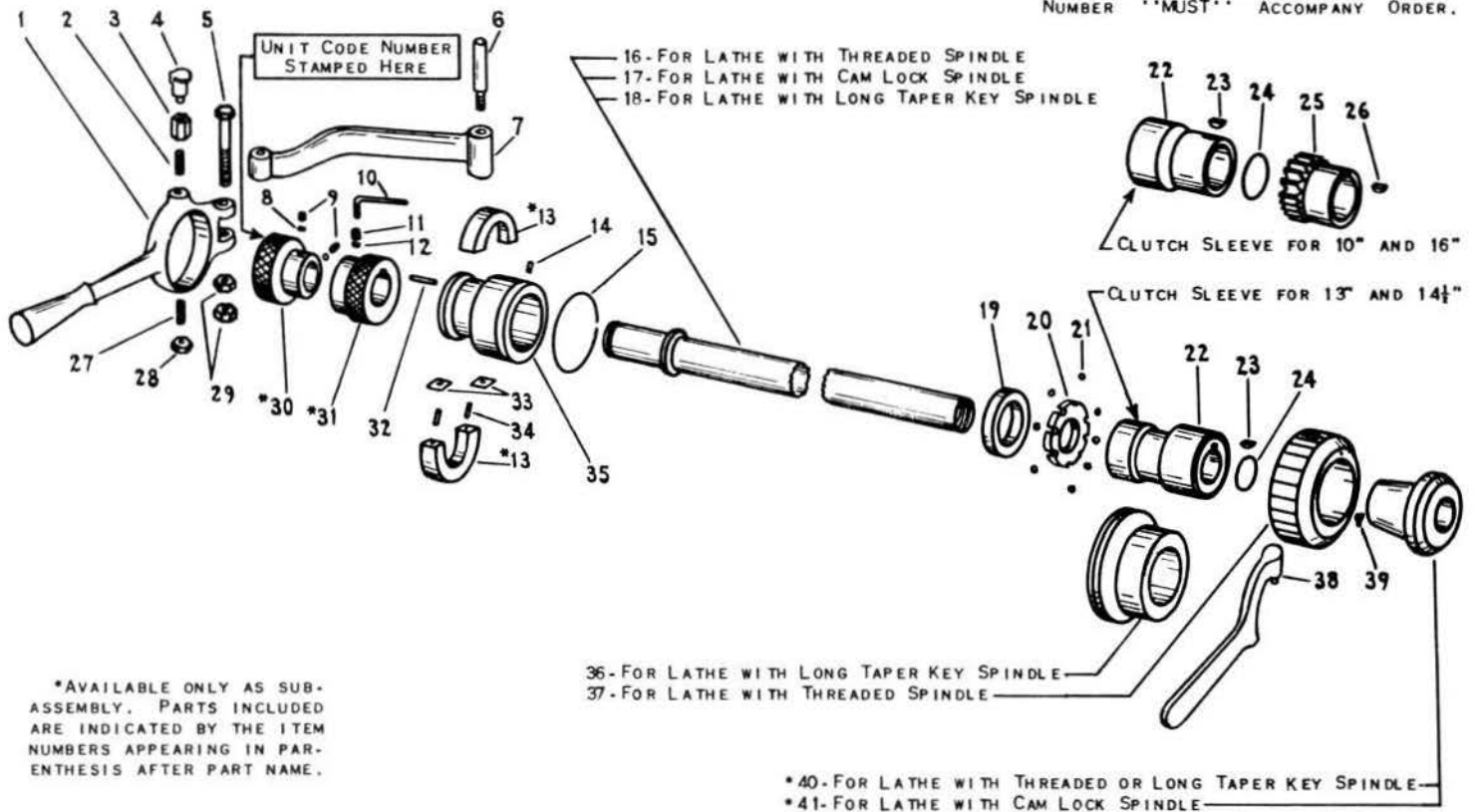


SERIAL NUMBER OF LATHE AND UNIT CODE NUMBER "MUST" ACCOMPANY ORDER.



*AVAILABLE ONLY AS SUB-ASSEMBLY. PARTS INCLUDED ARE INDICATED BY THE ITEM NUMBERS APPEARING IN PARENTHESIS AFTER PART NAME.

HANDLEVER COLLET ATTACHMENT
 FOR 10", 13", 14 1/2", 16" AND 16-24" LATHES
 WITH 1-1/16" COLLET CAPACITY

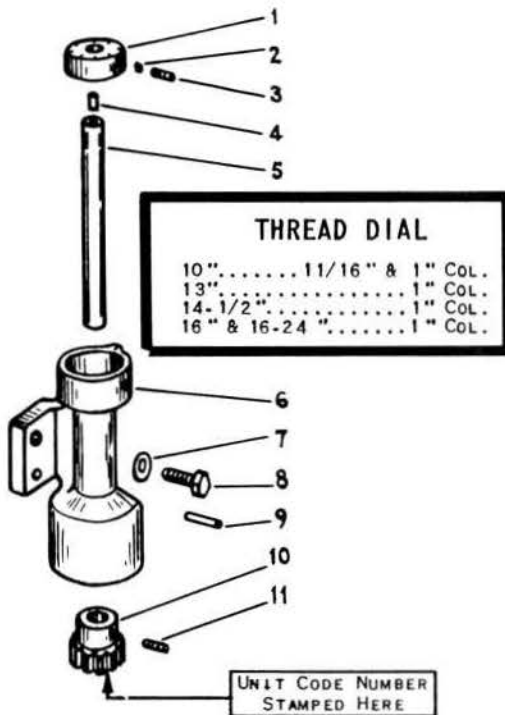
ITEM NO.	PART NAME	10"		13"		14-1/2"		16" & 16-24"	
		PART NO.		PART NO.		PART NO.		PART NO.	
1.	Yoke Lever	PT990LT2		PT990LT2		PT990FH1		PT990FH1	
2.	Yoke Lever Screw-Upper	PT492LH1		PT492LH1		PT492LH1		PT492LH1	
3.	Nut	PT494LH1		PT494LH1		PT494LH1		PT494LH1	
4.	Oiler	155 x 5		155 x 5		155 x 5		155 x 5	
5.	Yoke Bolt	PT991RT1		PT991RT1		PT991FH1		PT991FH1	
6.	Bracket Stud	PT997R1		PT997T1		PT997F1		PT997H1	
7.	Bracket	PT993R1		PT993T2		PT993F2		PT993H1	
8.	Shoe	PT4809RH1		PT4809RH1		PT4809RH1		PT4809RH1	
9.	Set Screw	120 x 903		120 x 903		120 x 903		120 x 903	
10.	Wrench	CE2392		CE2392		CE2392		CE2392	
11.	Set Screw	126 x 503		126 x 503		126 x 503		126 x 503	
12.	Shoe	PT1078RH1		PT1078RH1		PT1078RH1		PT1078RH1	
13.	Yoke Segment - (33-34)	*AS988LH1		*AS988LH1		*AS988LH1		*AS988LH1	
14.	Pin	PT1826-1		PT1826-1		PT1826-1		PT1826-1	
15.	Snap Ring	PT983LH1		PT983LH1		PT983LH1		PT983LH1	
16.	Draw Bar	PT975L3		PT975T4		PT975F4		PT975H3	
17.	Draw Bar	PT3609L3		PT3609T3		PT3609F3		PT975H3	
18.	Draw Bar	PT3706L3		PT3706T3		PT3706F3		PT3706H3	
19.	Collar	PT981LH2		PT981LH2		PT981LH2		PT981LH2	
20.	Ball Retainer	PT488LH2		PT488LH2		PT488LH2		PT488LH2	
21.	Steel Ball	172 x 20		172 x 20		172 x 20		172 x 20	
22.	Clutch Sleeve	PT979L3		PT979TF4		PT979TF4		PT979H3	
23.	Key	PT2070-1		PT2070-1		PT2070-1		PT2071	
24.	Snap Ring	PT976LH1		PT976LH1		PT976LH1		PT976LH1	
25.	Spindle Reverse Gear	PT980L1		-----		-----		PT980H1	
26.	Key	PT2070-1		-----		-----		PT2072	
27.	Yoke Lever Screw-Lower	PT994LT1		PT994LT1		PT994FH1		PT994FH1	
28.	Nut	PT1062-1		PT1062-1		PT1062-1		PT1062-1	

Continued On Reverse Side

ITEM NO.	PART NAME	10"		13"		14-1/2"		16" & 16-24"	
		PART NO.		PART NO.		PART NO.		PART NO.	
29.	Nut	PT1062-1		PT1062-1		PT1060FH1		PT1060FH1	
30.	Clutch Stop Nut (8-9)	*AS978LH2		*AS978LH2		*AS978LH2		*AS978LH2	
31.	Lock Collar (11-12)	*AS998LH1		*AS998LH1		*AS998LH1		*AS998LH1	
32.	Pin	PT1837-1		PT1837-1		PT1837-1		PT1837-1	
33.	Felt Wick	256 x 11		256 x 11		256 x 11		256 x 11	
34.	Pin	160 x 18		160 x 18		160 x 18		160 x 18	
35.	Clutch Yoke Cone	PT986LH3		PT986LH3		PT986LH3		PT986LH3	
36.	Knock Out Nut	PT3719LH1		PT3719LH1		PT3719LH1		PT3719LH1	
37.	Knock Out Nut	PT995LT1		PT995LT1		PT995FH1		PT995FH1	
38.	Spanner Wrench	CE2736		CE2736		CE2738		CE2738	
39.	Key	PT493NH1		PT493NH1		PT493NH1		PT493NH1	
40.	Collet Sleeve (39)	*AS795LH1		*AS795LH1		*AS795LH1		*AS795LH1	
41.	Collet Sleeve (39)	*AS3632LH1		*AS3632LH1		*AS3632LH1		*AS3632LH1	

SERIAL NUMBER OF LATHE AND UNIT CODE NUMBER "MUST" ACCOMPANY ORDER.

*AVAILABLE ONLY AS SUB-ASSEMBLY. PARTS INCLUDED ARE INDICATED BY THE ITEM NUMBERS APPEARING IN PARENTHESIS AFTER PART NAME.



ITEM NO.	PART NAME	(10" (11/16" & 1" COL.)		13" (1" COL.)	
		PART NO.		PART NO.	
1	INDICATOR DIAL	PT888R1		PT888TH1	
2	SHOE	PT1078RH1		PT1078RH1	
3	SET SCREW	122 x 505		122 x 506	
4	OILER	155 x 16		155 x 16	
5	INDICATOR SHAFT	PT891R2		PT891TH1	
6	INDICATOR FRAME	PT886R1		PT886TH1	
7	WASHER	161 x 11		161 x 16	
8	CAP SCREW	112 x 112		112 x 214	
9	PIN	160 x 52		160 x 52	
10	IND. WORM WHEEL	PT887NR2		PT887TH1	
11	SET SCREW	120 x 6		122 x 506	

ITEM NO.	PART NAME	14-1/2" (1" COL.)		16" & 16/24" (1" COL.)	
		PART NO.		PART NO.	
1	INDICATOR DIAL	PT888TH1		PT888TH1	
2	SHOE	PT1078RH1		PT1078RH1	
3	SET SCREW	122 x 506		122 x 506	
4	OILER	155 x 16		155 x 16	
5	INDICATOR SHAFT	PT891TH1		PT891TH1	
6	INDICATOR FRAME	PT886TH1		PT886TH1	
7	WASHER	161 x 16		161 x 16	
8	CAP SCREW	112 x 214		112 x 214	
9	PIN	160 x 52		160 x 52	
10	IND. WORM WHEEL	PT887TH1		PT887TH1	
11	SET SCREW	122 x 506		122 x 506	